

BLOWER	DISCHARGE SILENCER	D	E	F
3206	24113-020	2 NPT	7 1/4	34 1/2
	24113-025	2 1/2 NPT	7 3/4	35 3/4
3210	24113-020	2 NPT	8 3/4	34 1/2
	24113-025	2 1/2 NPT	7 3/4	35 3/4
	24113-030	3 NPT	7	48

BLOWER	A	B	C
3206-84/85	14 15/16	2 1/2 NPT	30 1/2
3210-84/85	16 15/16	3 NPT	31

MOTOR W/SLIDE BASE 1800 RPM, 230/460 V, 3 PH, 60 HZ		
HP	FRAME	TYPE
3	182T	ODP
5	184T	TEFC
7 1/2	213T	TEXP
10	215T	SEVERE DUTY TEFC
15	254T	SEVERE DUTY TEXP
20	256T	
25	284T	

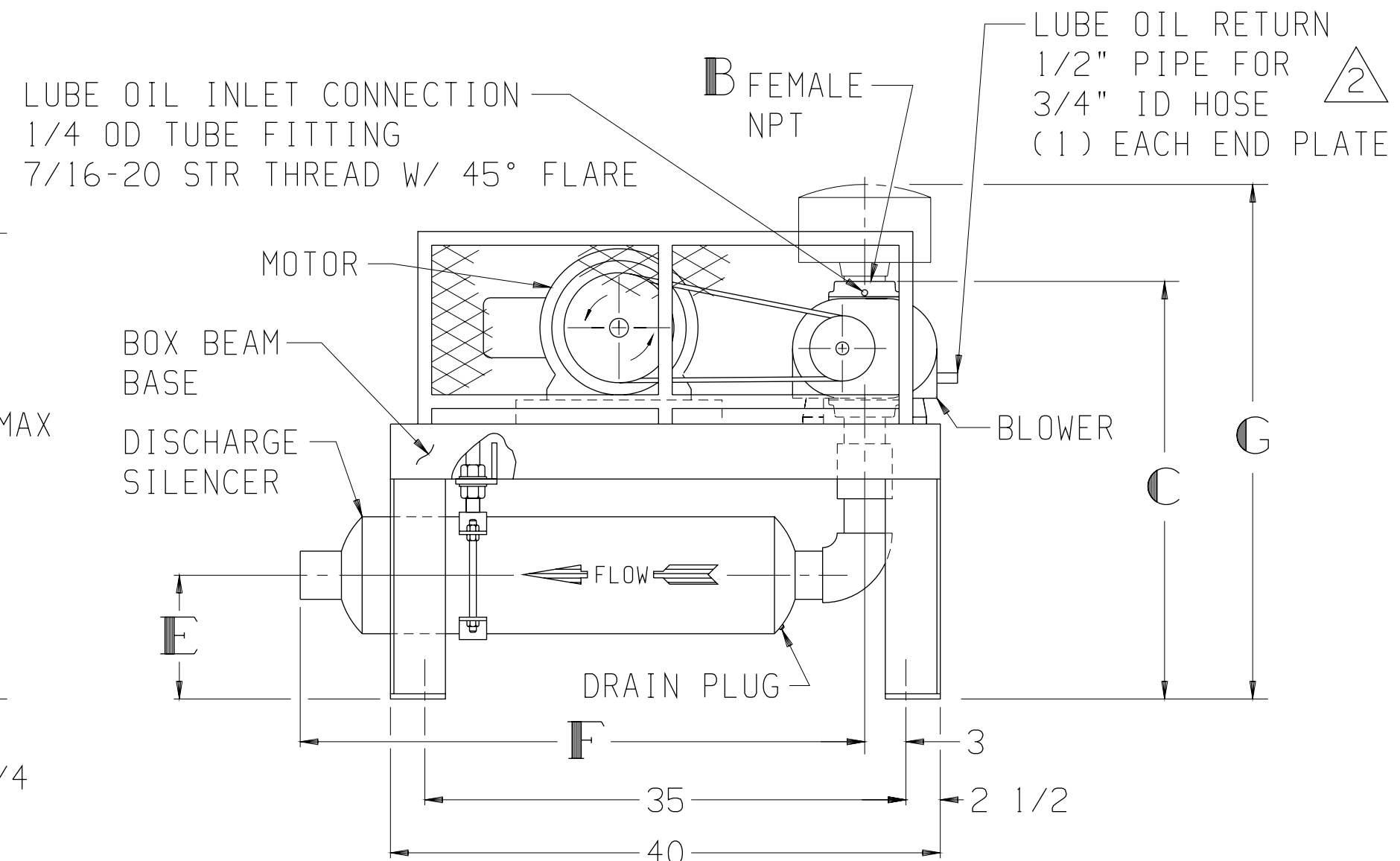
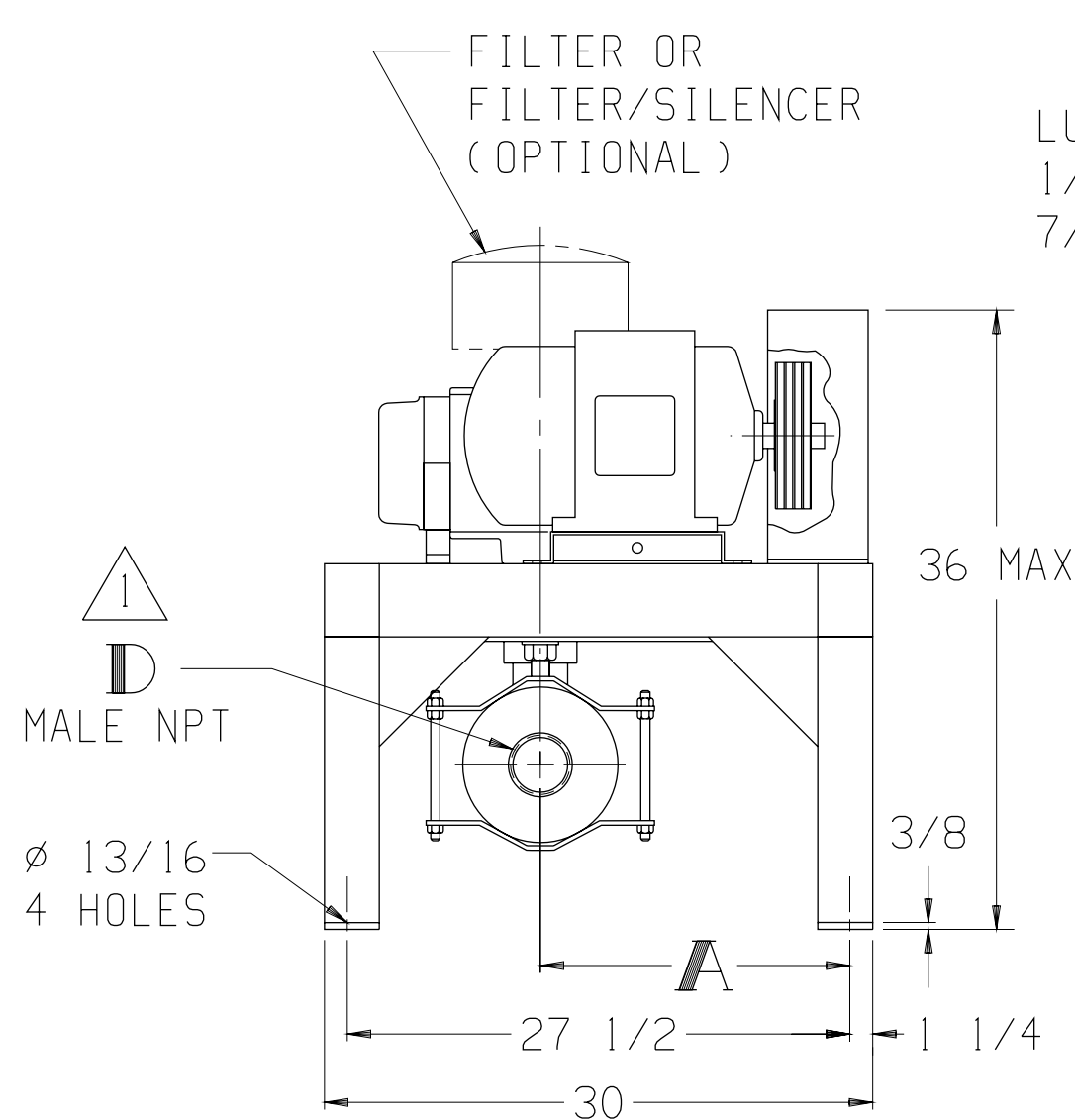
APPROXIMATE WEIGHT

BASE, DRIVE, & GUARD	300	LBS
BLOWER	___	LBS
MOTOR & SLIDE BASE	___	LBS
SILENCER	___	LBS
FILTER	___	LBS
TOTAL WEIGHT	___	LBS

LTR	REVISION	DATE	DR	CH
A	REVISED DIM G (ECN 3412)	6-28-99	BD	CWM

BLOWER	FILTER (OPTIONAL)	G
3206	26512-020	35 5/16
	26512-025	38 5/8
3210	26512-020	35 5/8
	26512-025	39 13/16
	26512-030	39 1/8

BLOWER	FILTER/SILENCER (OPTIONAL)	G
3206	26312-020	39 11/16
	26312-025	48 13/16
3210	26312-020	40
	26312-025	50
	26312-030	49 5/16



NOTE:

1 CONNECTION SIZE SHOWN IN TABLE ABOVE IS A STANDARD CONNECTION. WHEN REQUESTED, A CONNECTION OTHER THAN STANDARD CAN BE SUPPLIED. IF SO, IT IS _____ OUTLET CONNECTION.

2 EXTERNAL LUBE SYSTEM MUST BE LOCATED SO THAT THE SLOPE FROM THE BLOWER DRAIN TO THE TANK INLET IS NOT LESS THAN 1'-0" IN 6'-0" AND NO PART OF THE DRAIN HOSE TO BE BELOW THE TANK INLET.

THIS OUTLINE APPLIES TO THE BLOWERS AND MOTORS SHOWN IN TABLES

Tuthill 800.825.6937

BASE MOUNTED OUTLINE B3200VV2A-DSL

SIZE: C2	
DR CM 12-11-92	CH LB 12-11-92