

LTR	REVISION	DATE	DR	CH
B	REMOVED 47 SERIES (ECN 4767)	7-24-06	CM	CM

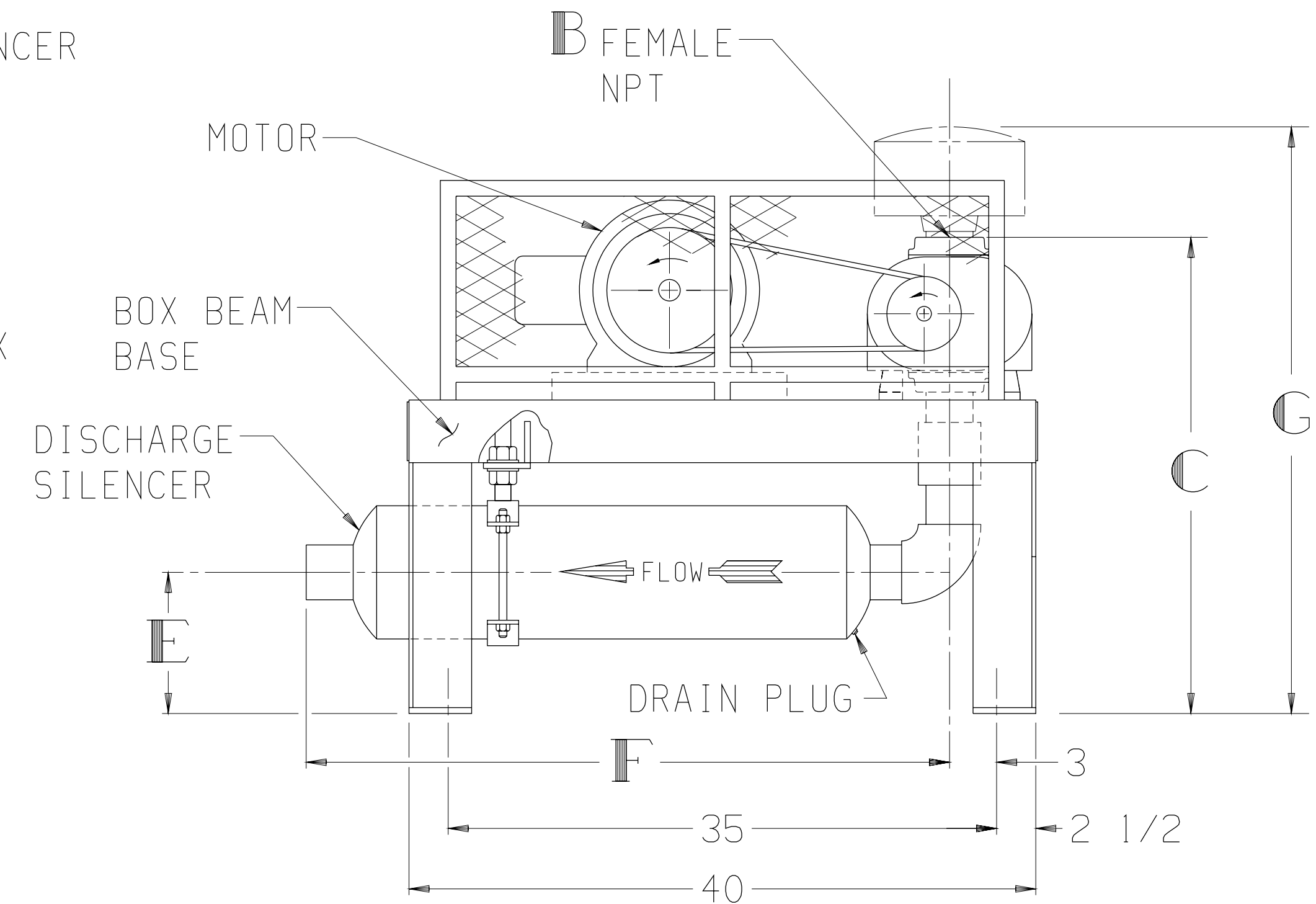
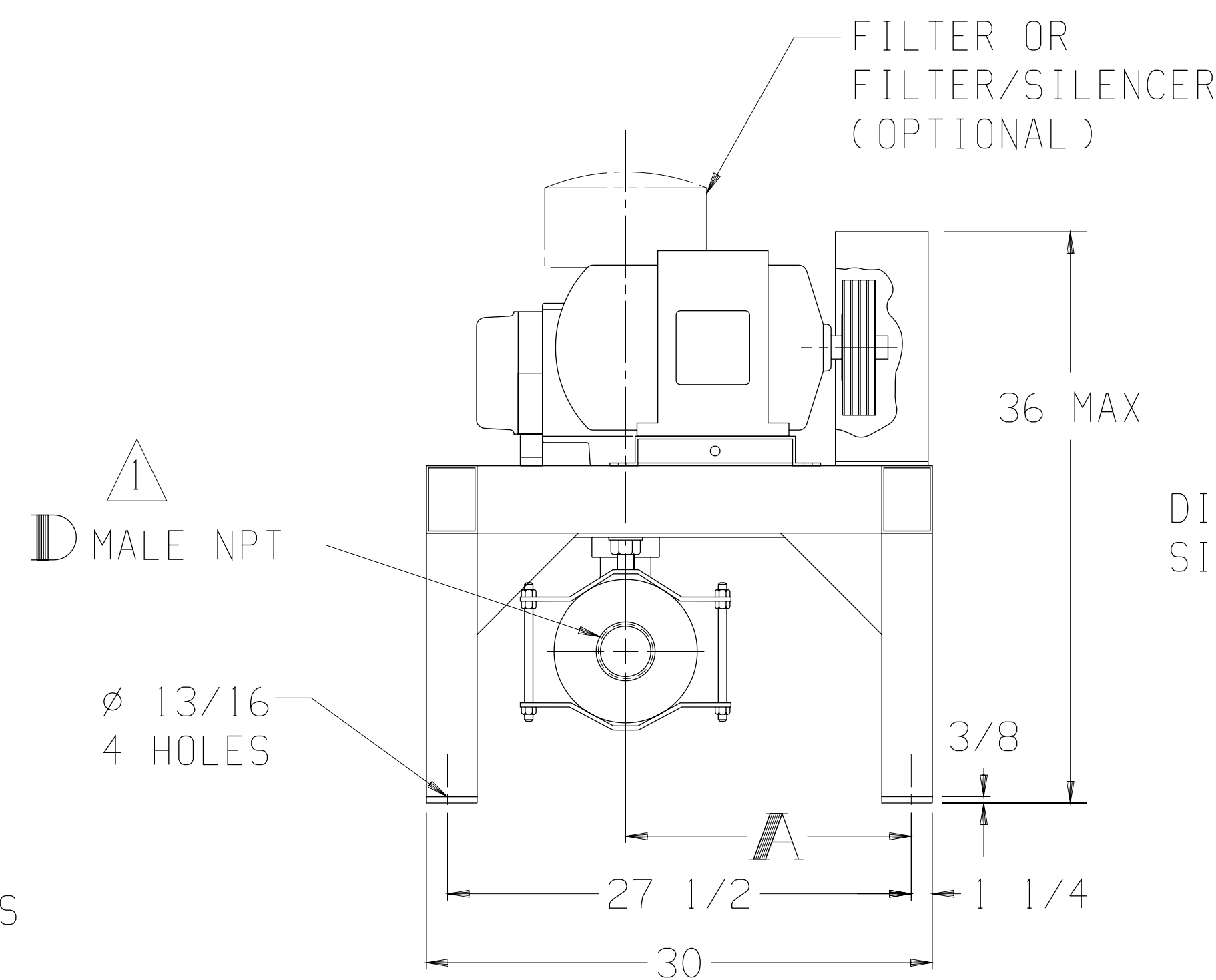
BLOWER	DISCHARGE SILENCER	D	E	F
3206	24113-020	2 NPT	7 1/4	34 1/2
	24113-025	2 1/2 NPT	7 3/4	35 3/4
3210	24113-020	2 NPT	8 3/4	34 1/2
	24113-025	2 1/2 NPT	7 3/4	35 3/4
	24113-030	3 NPT	7	48

BLOWER	A	B	C
3206-46/81	14 15/16	2 1/2 NPT	30 1/2
3210-46/81	16 15/16	3 NPT	31

BLOWER	FILTER (OPTIONAL) <sup>2</sup>	G
3206	26512-020X	35 5/16
	26512-025X	38 5/8
3210	26512-020X	35 5/8
	26512-025X	39 13/16
	26512-030X	39 1/8

BLOWER	FILTER/SILENCER (OPTIONAL) <sup>2</sup>	G
3206	26312-020X	39 11/16
	26312-025X	48 13/16
3210	26312-020X	40
	26312-025X	50
	26312-030X	49 5/16

MOTOR W/SLIDE BASE 1800 RPM, 230/460 V, 3 PH, 60 HZ		
HP	FRAME	TYPE
3	182T	ODP
5	184T	TEFC
7 1/2	213T	TEXP
10	215T	SEVERE DUTY TEFC
15	254T	SEVERE DUTY TEXP
20	256T	
25	284T	



THIS OUTLINE APPLIES TO THE BLOWERS AND MOTORS SHOWN IN TABLES

APPROXIMATE WEIGHT

BASE, DRIVE, & GUARD	300 LBS
BLOWER	___ LBS
MOTOR & SLIDE BASE	___ LBS
SILENCER	___ LBS
FILTER	___ LBS
TOTAL WEIGHT	___ LBS

NOTE:

<sup>1</sup> CONNECTION SIZE SHOWN IN TABLE ABOVE IS A STANDARD CONNECTION. WHEN REQUESTED, CONNECTION OTHER THAN STANDARD CAN BE SUPPLIED. IF SO, IT IS A \_\_\_\_\_ OUTLET CONNECTION.

<sup>2</sup> AN "X" IN A PART NUMBER INDICATES NEEDED INFORMATION FOR A COMPLETE PART NUMBER

**Tuthill** 800.825.6937  
 BASE MOUNTED OUTLINE B3200VV2A-DS  
 SIZE: C2  
 DR LM 10-19-89 CH CM 10-19-89