

LTR	REVISION	DATE	DR	CH
D	REMOVED 47 SERIES (ECN 4767)	7-24-06	CM	CM

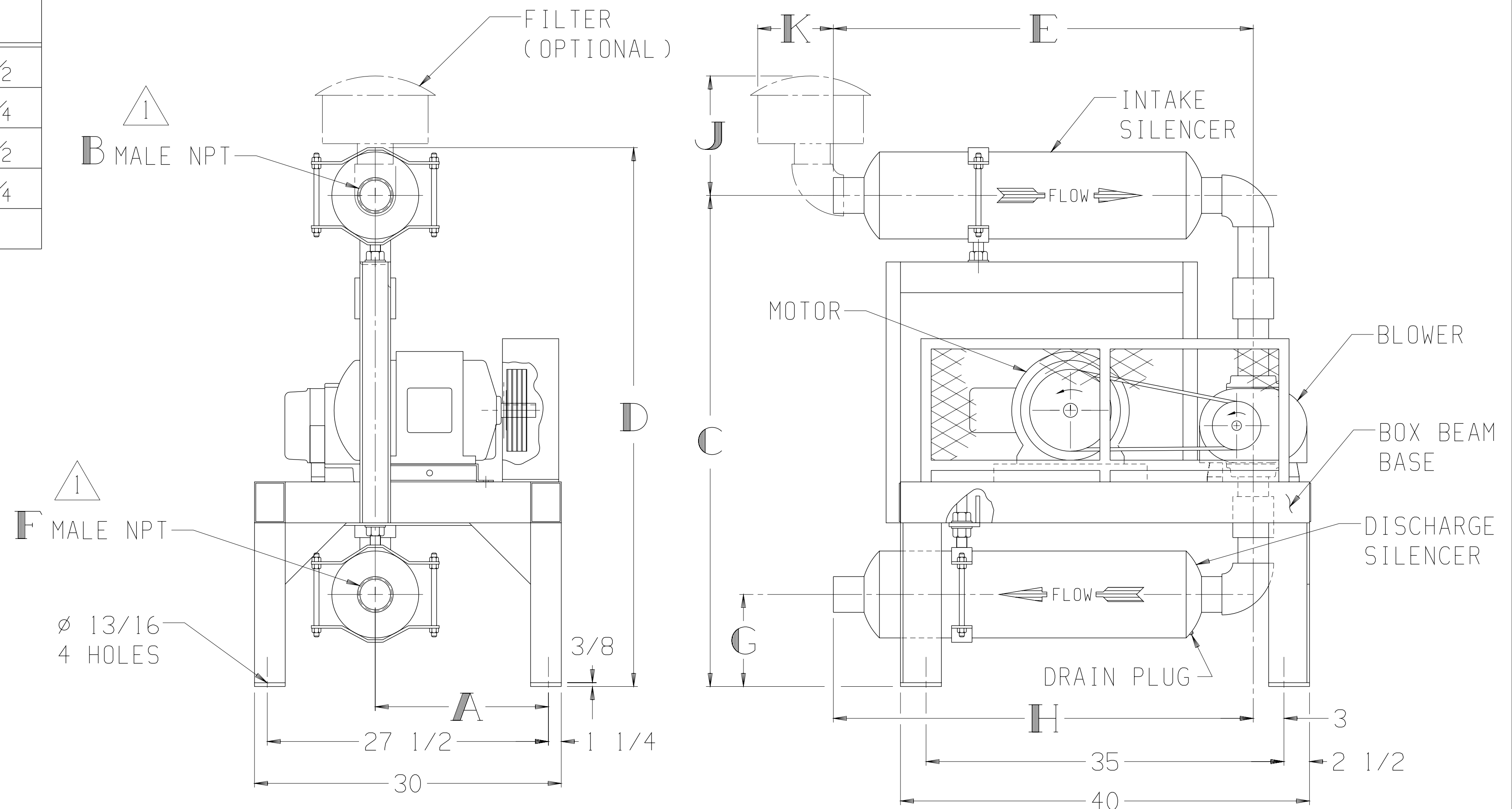
BLOWER	INTAKE SILENCER	B	C	D	E
3206	26561-020	2 NPT	47 3/4	51 1/4	30
	26561-025	2 1/2 NPT	49 1/4	54	34 3/4
3210	26561-020	2 NPT	48 1/4	51 3/4	30
	26561-025	2 1/2 NPT	48 1/4	53	34 3/4
	26561-030	3 NPT	48	52 3/4	41

BLOWER	A
3206-46/81	14 15/16
3210-46/81	16 15/16

FILTER (OPTIONAL) ²	J	K
26512-020X	6 1/4	6
26512-025X	10 13/16	8 1/2
26512-030X	11 9/16	8 13/16

BLOWER	DISCHARGE SILENCER	F	G	H
3206	24113-020	2 NPT	7 1/4	34 1/2
	24113-025	2 1/2 NPT	7 3/4	35 3/4
3210	24113-020	2 NPT	8 3/4	34 1/2
	24113-025	2 1/2 NPT	7 3/4	35 3/4
	24113-030	3 NPT	7	48

MOTOR W/SLIDE BASE 1800 RPM, 230/460 V, 3 PH, 60 HZ		
HP	FRAME	TYPE
3	182T	ODP
5	184T	TEFC
7 1/2	213T	TEXP
10	215T	SEVERE DUTY TEFC
15	254T	SEVERE DUTY TEXP
20	256T	
25	284T	



THIS OUTLINE APPLIES TO THE BLOWERS AND MOTORS SHOWN IN TABLES

NOTE:

¹ CONNECTION SIZES SHOWN IN TABLES ABOVE ARE STANDARD CONNECTIONS. WHEN REQUESTED, CONNECTIONS OTHER THAN STANDARD CAN BE SUPPLIED. IF SO, THEY ARE _____ INLET & _____ OUTLET CONNECTIONS.

² AN "X" IN A PART NUMBER INDICATES NEEDED INFORMATION FOR A COMPLETE PART NUMBER

APPROXIMATE WEIGHT	
BASE, DRIVE, & GUARD	335 LBS
BLOWER	___ LBS
MOTOR & SLIDE BASE	___ LBS
SILENCERS	___ LBS
FILTER	___ LBS
TOTAL WEIGHT	___ LBS

Tuthill 800.825.6937

BASE MOUNTED OUTLINE B3200VV2A

SIZE: C2

DR MJ 12-20-88 CH SY 1-10-89