

LTR	REVISION	DATE	DR	CH
A	REVISED DIMS F & G (ECN 3412)	6-28-99	BD	CWM

BLOWER	INTAKE SILENCER	B	C	D	E
3202	25877-015	1 1/2 NPT	42	44 3/4	25 1/4
3204	26561-020	2 NPT	41 1/4	44 3/4	30

FILTER (OPTIONAL)	F	G
26512-015	5 13/16	5 3/4
26512-020	6 1/4	6

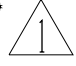

BLOWER	A	H	J
3202-46E/81E	12	1 1/2	19 1/2
3204-46E/81E	12 3/4	2	18 1/2

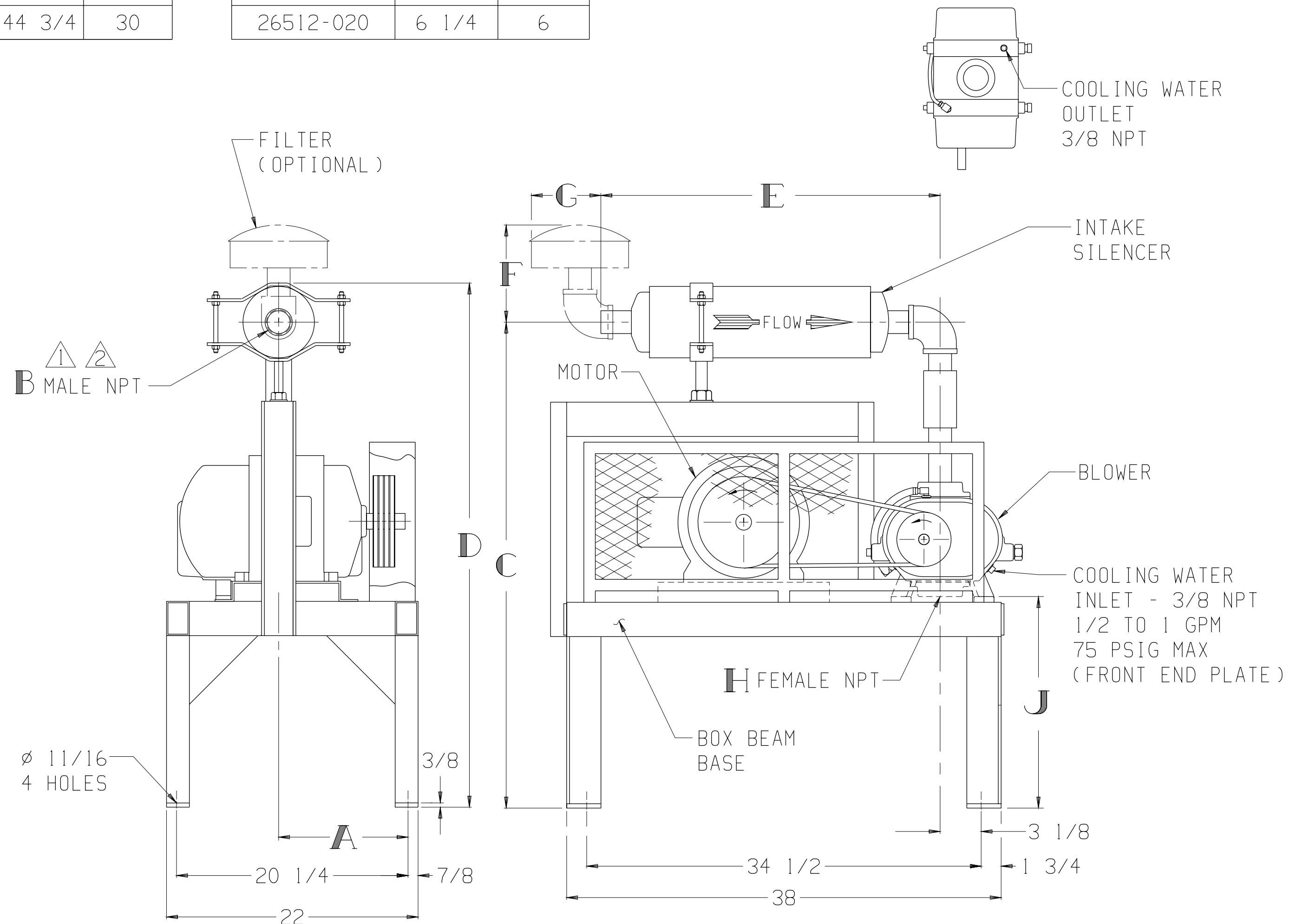
MOTOR W/SLIDE BASE		
1800 RPM, 230/460 V, 3 PH, 60 HZ		
HP	FRAME	TYPE
2	145T	ODP
3	182T	TEFC
5	184T	TEXP
7 1/2	213T	SEVERE DUTY TEFC
10	215T	SEVERE DUTY TEXP

APPROXIMATE WEIGHT

BASE, DRIVE, & GUARD-	200	LBS
BLOWER	-	___ LBS
MOTOR & SLIDE BASE	-	___ LBS
SILENCERS	-	___ LBS
FILTER	-	___ LBS
TOTAL WEIGHT	-	___ LBS

THIS OUTLINE APPLIES TO THE BLOWERS AND MOTORS SHOWN IN TABLES.

NOTE:  CONNECTION SIZES SHOWN IN TABLES ABOVE ARE STANDARD CONNECTIONS. WHEN REQUESTED, CONNECTIONS OTHER THAN STANDARD CAN BE SUPPLIED. IF SO, THEY ARE _____ INLET & _____ OUTLET CONNECTIONS.
 SILENCER 25877-015 IS SUPPLIED WITH A FEMALE NPT CONNECTION.



Tuthill 800.825.6937

BASE MOUNTED OUTLINE B3200VV1A-ISE

SIZE:
C2

DR CWM.4-30-99

CH BD 5-4-99