

LTR	REVISION	DATE	DR	CH
A	RE-ROUTED WATER HOSE TO LEFT SIDE (ECN 2991)	4-3-97	SM	LB
B	REVISED DIMS J & K (ECN 3412)	6-28-99	BD	CWM

BLOWER	INTAKE SILENCER	B	C	D	E
3202	25877-015	1 1/2 NPT	42	44 3/4	25 1/4
3204	26561-020	2 NPT	41 1/4	44 3/4	30

BLOWER	A
3202-46E/81E	12
3204-46E/81E	12 3/4

FILTER (OPTIONAL)	J	K
26512-015	5 13/16	5 3/4
26512-020	6 1/4	6

BLOWER	DISCHARGE SILENCER	F	G	H
3202	27329-015	1 1/2 NPT	8	25 1/4
3204	24113-020	2 NPT	6 3/4	34 1/2

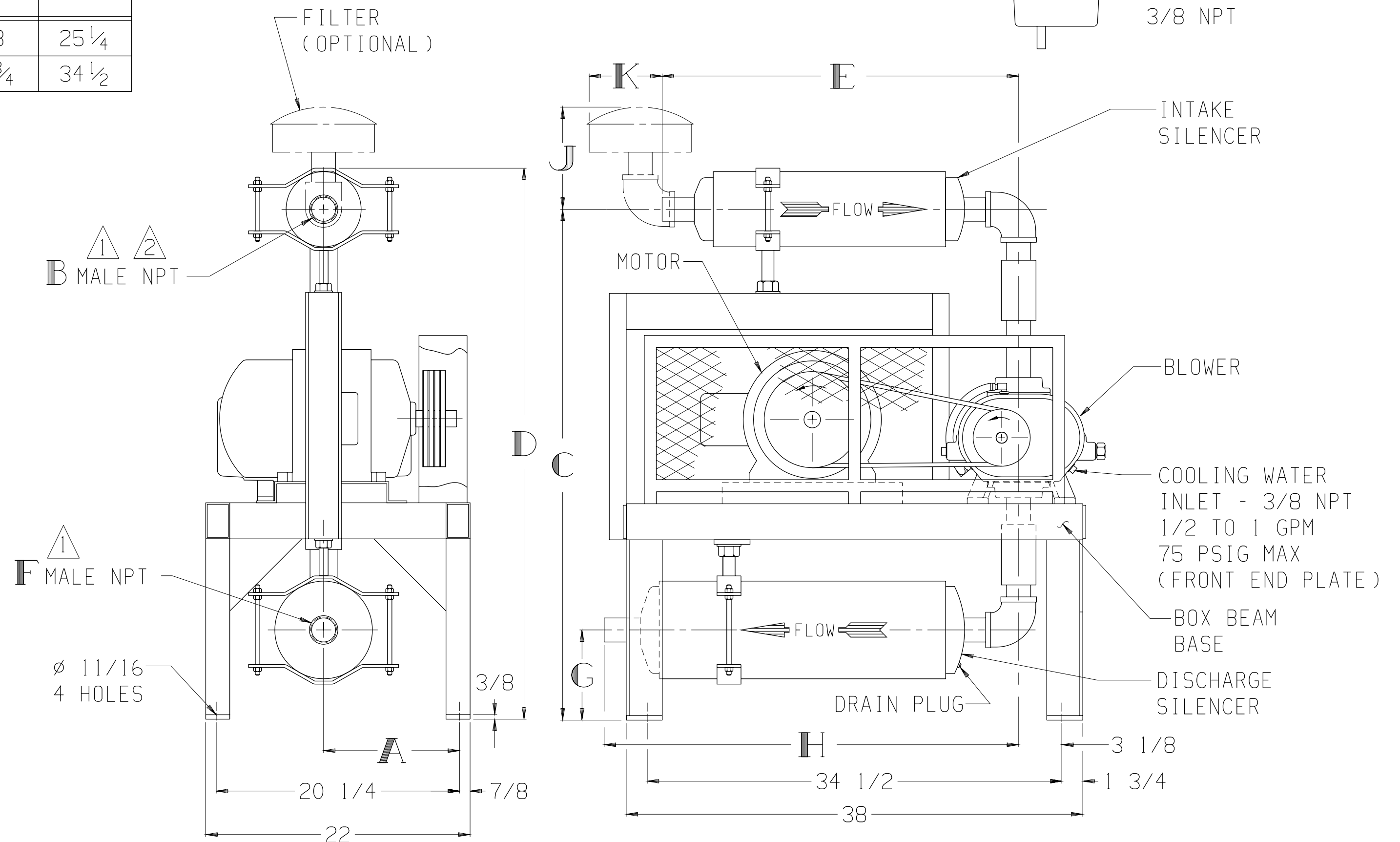
MOTOR W/SLIDE BASE 1800 RPM, 230/460 V, 3 PH, 60 HZ		
HP	FRAME	TYPE
2	145T	ODP
3	182T	TEFC
5	184T	TEXP
7 1/2	213T	SEVERE DUTY TEFC
10	215T	SEVERE DUTY TEXP

APPROXIMATE WEIGHT

BASE, DRIVE, & GUARD-	200	LBS
BLOWER	-	LBS
MOTOR & SLIDE BASE	-	LBS
SILENCERS	-	LBS
FILTER	-	LBS
<b>TOTAL WEIGHT</b>	-	<b>LBS</b>

THIS OUTLINE APPLIES TO THE BLOWERS AND MOTORS SHOWN IN TABLES.

NOTE:   
 1 CONNECTION SIZES SHOWN IN TABLES ABOVE ARE STANDARD CONNECTIONS. WHEN REQUESTED, CONNECTIONS OTHER THAN STANDARD CAN BE SUPPLIED. IF SO, THEY ARE \_\_\_\_\_ INLET & \_\_\_\_\_ OUTLET CONNECTIONS.   
 2 SILENCER 25877-015 IS SUPPLIED WITH A FEMALE NPT CONNECTION.



**Tuthill** 800.825.6937

BASE MOUNTED OUTLINE B3200VV1A-E

SIZE: C2

DR BD 4-24-90

CH CM 4-25-90