

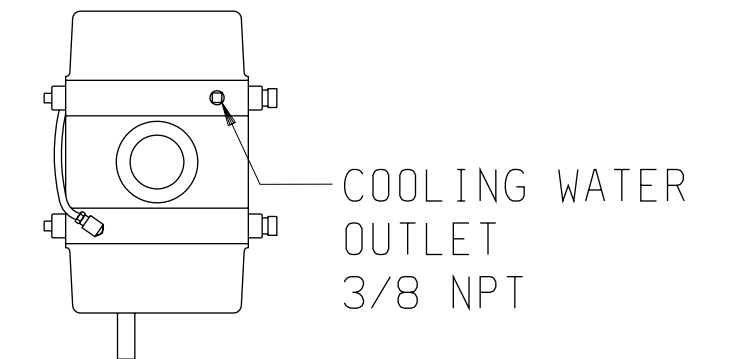
LTR	REVISION	DATE	DR	CH
A	RE-ROUTED WATER HOSE TO LEFT SIDE (ECN 2991)	4-3-97	SM	LB
B	REVISED DIM G (ECN 3412)	6-28-99	BD	CWM

BLOWER	DISCHARGE SILENCER	D	E	F
3202	27329-015	1 1/2 NPT	8	25 1/4
3204	24113-020	2 NPT	6 3/4	34 1/2

BLOWER	FILTER (OPTIONAL)	G
3202	26512-015	31 3/8
3204	26512-020	32 1/2

BLOWER	A	B	C
3202-46E/81E	12	1 1/2 NPT	27 1/2
3204-46E/81E	12 3/4	2 NPT	28 1/2

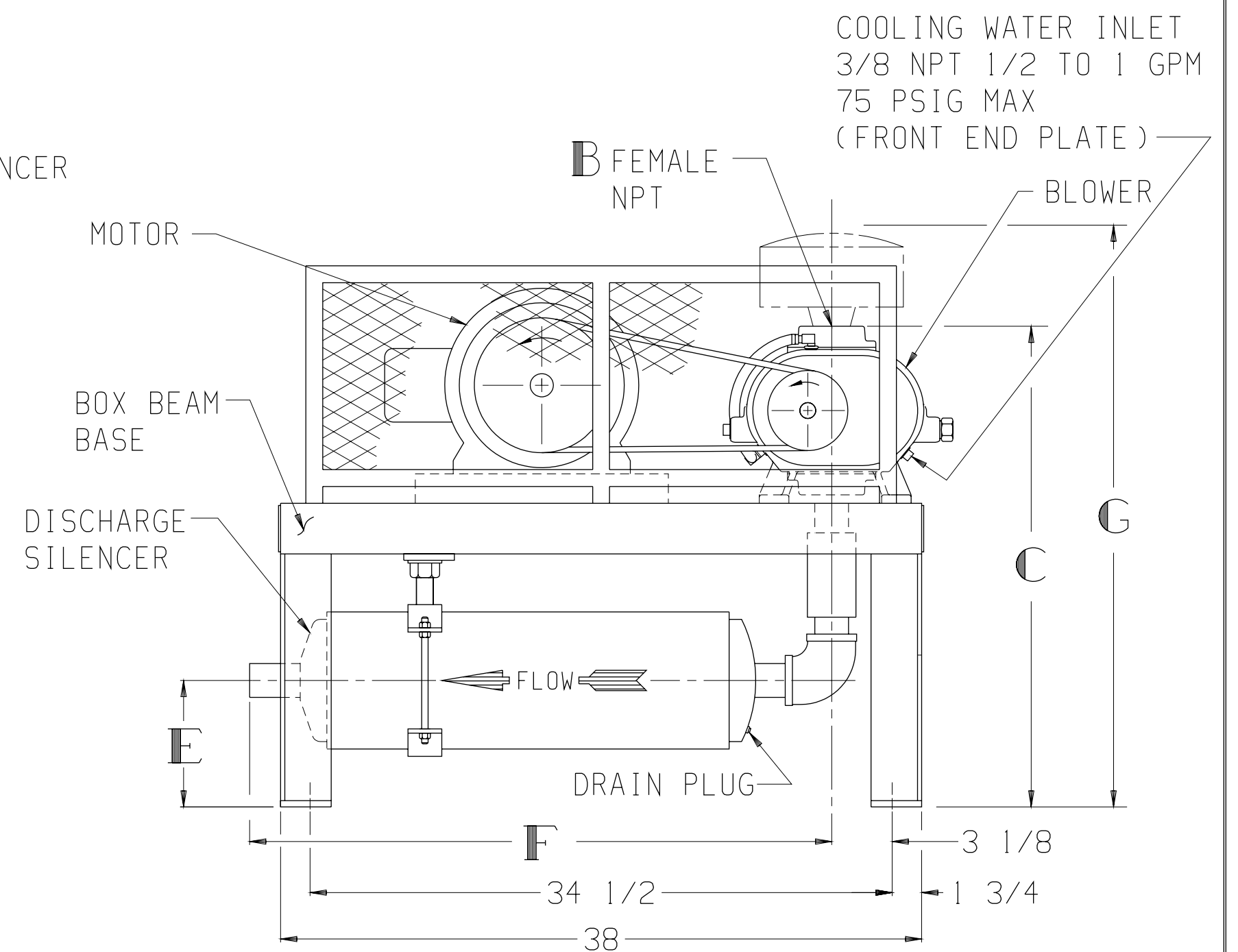
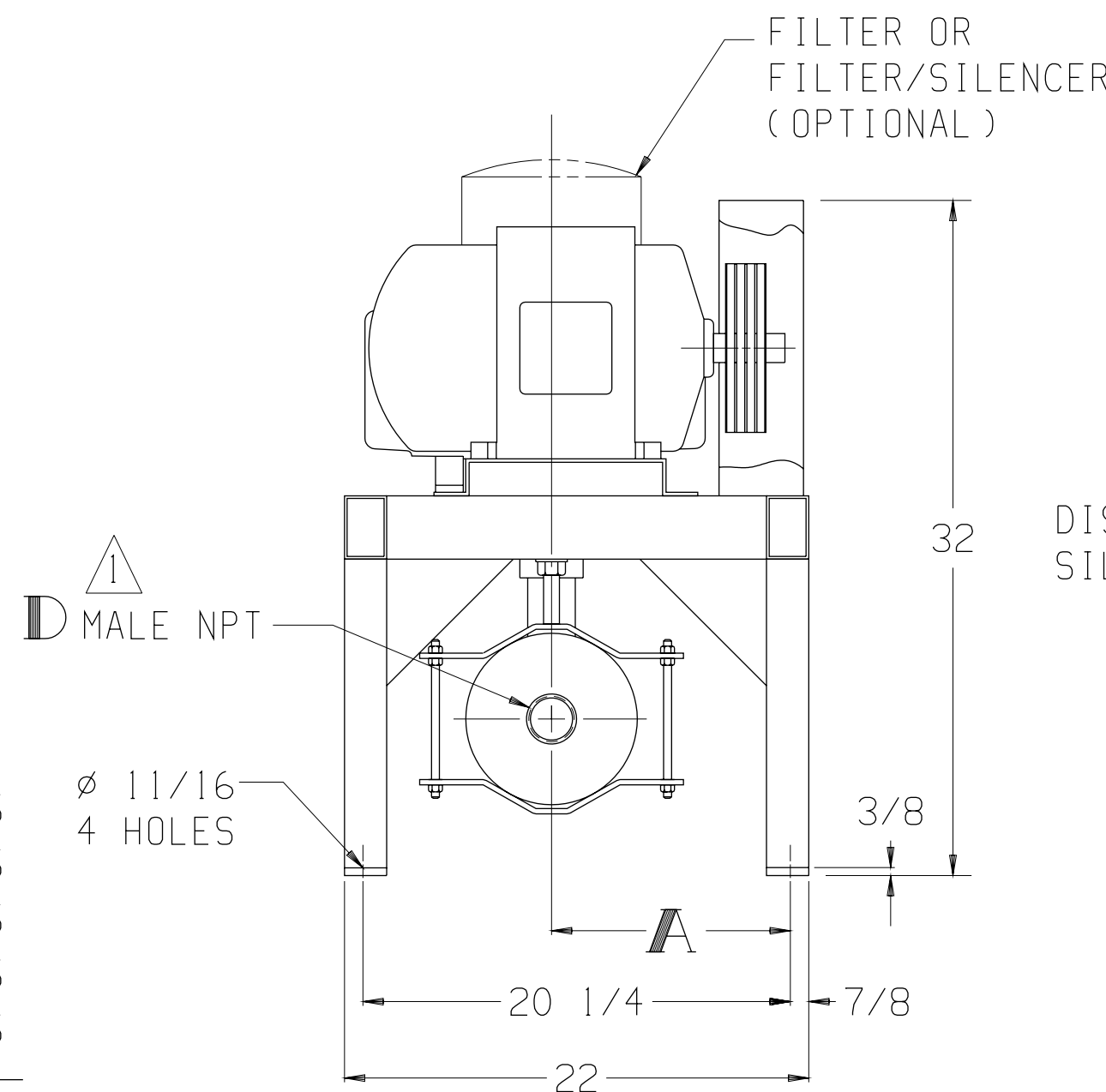
BLOWER	FILTER/SILENCER (OPTIONAL)	G
3202	26312-015	35 3/4
3204	26312-020	36 7/8



MOTOR W/SLIDE BASE 1800 RPM, 230/460 V, 3 PH, 60 HZ		
HP	FRAME	TYPE
2	145T	ODP
3	182T	TEFC
5	184T	TEXP
7 1/2	213T	SEVERE DUTY TEFC
10	215T	SEVERE DUTY TEXP

APPROXIMATE WEIGHT

BASE, DRIVE, & GUARD-	170	LBS
BLOWER	-	LBS
MOTOR & SLIDE BASE	-	LBS
SILENCER	-	LBS
FILTER	-	LBS
TOTAL WEIGHT	-	LBS



THIS OUTLINE APPLIES TO THE BLOWERS AND MOTORS SHOWN IN TABLES.

NOTE: Δ CONNECTION SIZE SHOWN IN TABLE ABOVE IS A STANDARD CONNECTION. WHEN REQUESTED, A CONNECTION OTHER THAN STANDARD CAN BE SUPPLIED. IF SO, IT IS _____ OUTLET CONNECTION.

Tuthill 800.825.6937

BASE MOUNTED OUTLINE B3200VV1A-DSE

SIZE:
C2

DR JS 7-9-92

CH CM 7-9-92