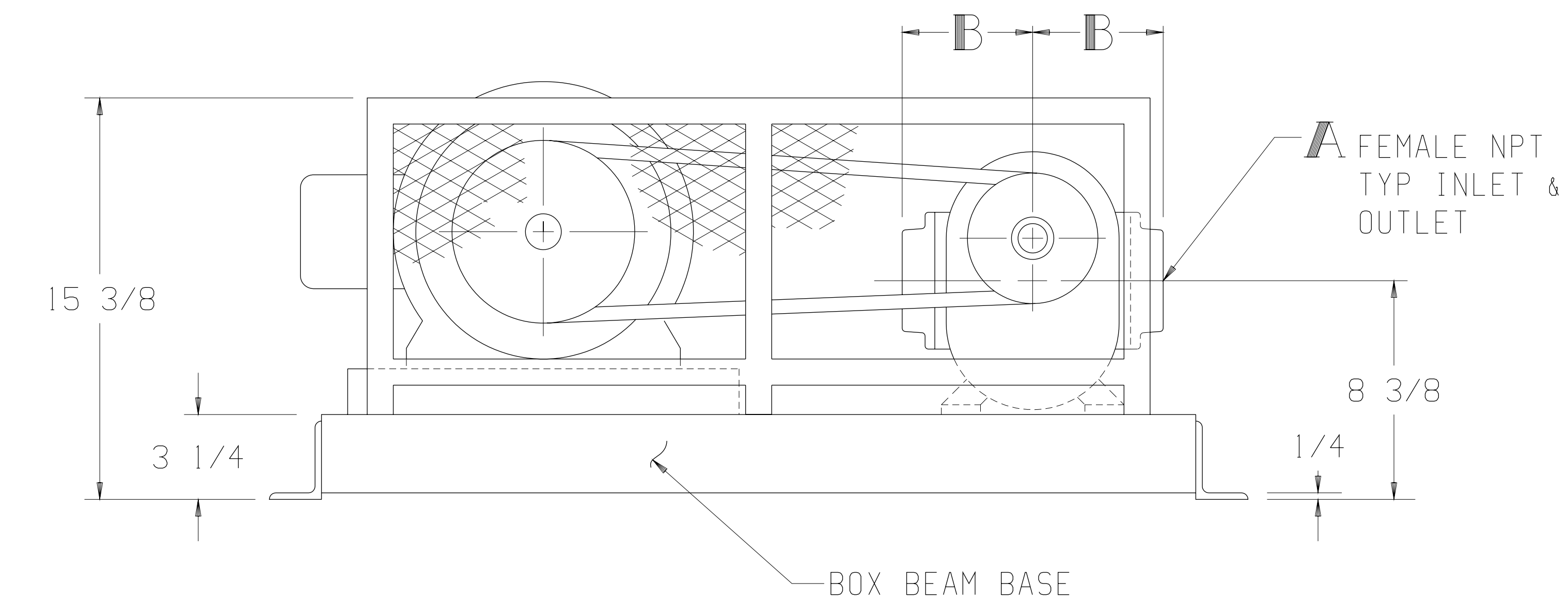
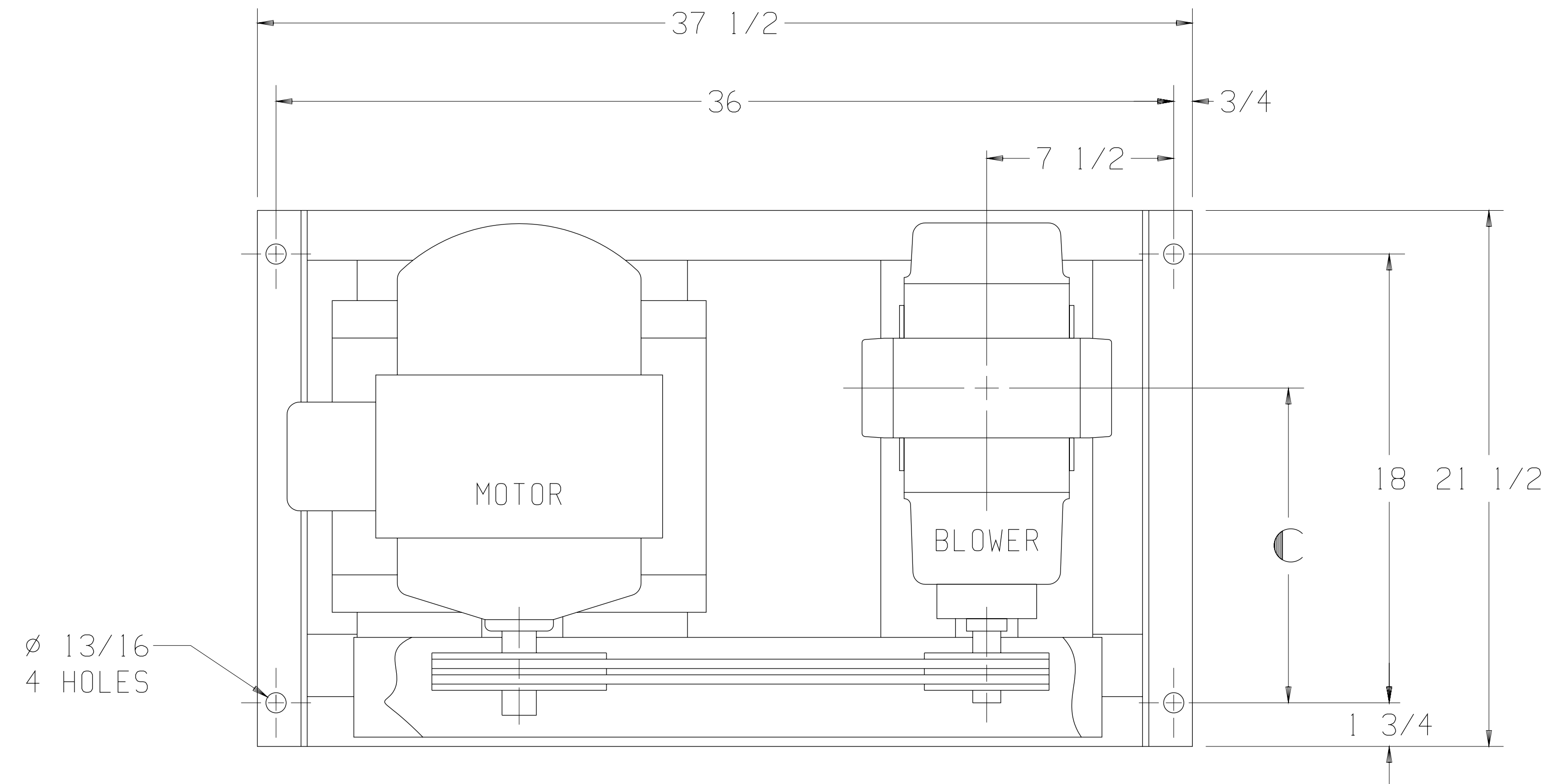


LTR	REVISION	DATE	DR	CH
A	REMOVED 16 SERIES (ECN 4767)	7-24-06	CM	CM



BLOWER	A	B	C
3202-17/57	1 1/2 NPT	4	11 9/16
3202-64	1 1/2 NPT	4	11 7/8
3204-17/57	2 NPT	5	12 5/16
3204-64	2 NPT	5	12 5/8

MOTOR-W/SLIDE BASE 1800 RPM, 230/460 V, 3 PH, 60 HZ		
HP	FRAME	TYPE
2	145T	ODP
3	182T	TEFC
5	184T	TEXP
7 1/2	213T	SEVERE DUTY TEFC
10	215T	SEVERE DUTY TEXP

APPROXIMATE WEIGHT

BASE, DRIVE, & GUARD-	125	LBS
BLOWER	-	___
MOTOR & SLIDE BASE	-	___
TOTAL WEIGHT	-	___

THIS OUTLINE APPLIES TO THE BLOWERS AND MOTORS SHOWN IN TABLES

Tuthill 800.825.6937

BASE MOUNTED OUTLINE B3200HV2

SIZE:
C2

DR LM 9-26-89

CH CM 9-27-89