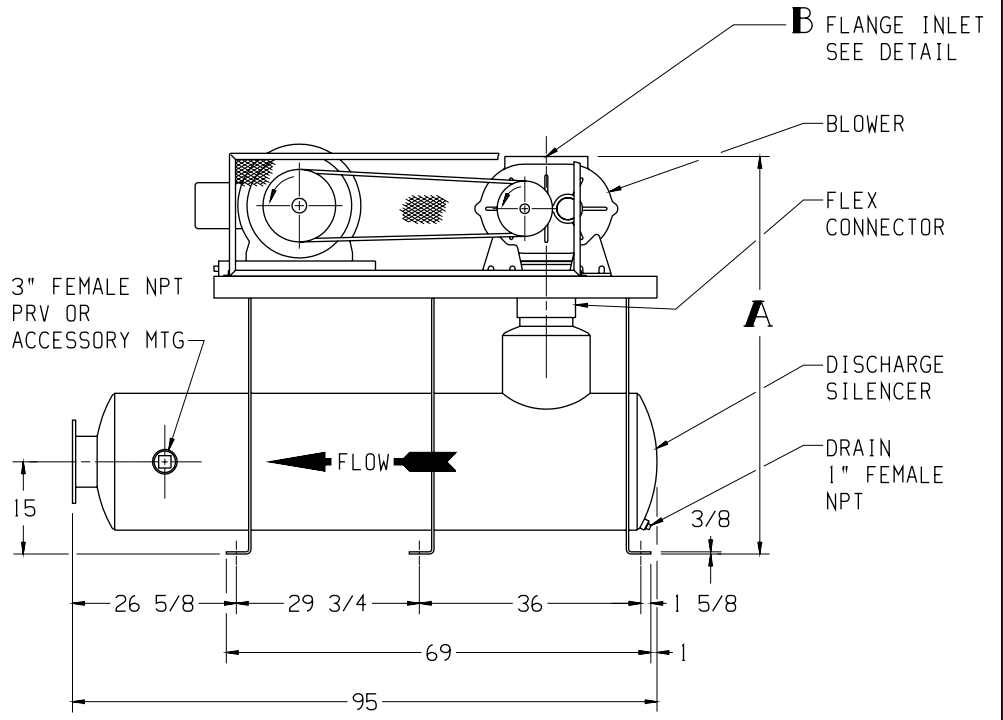
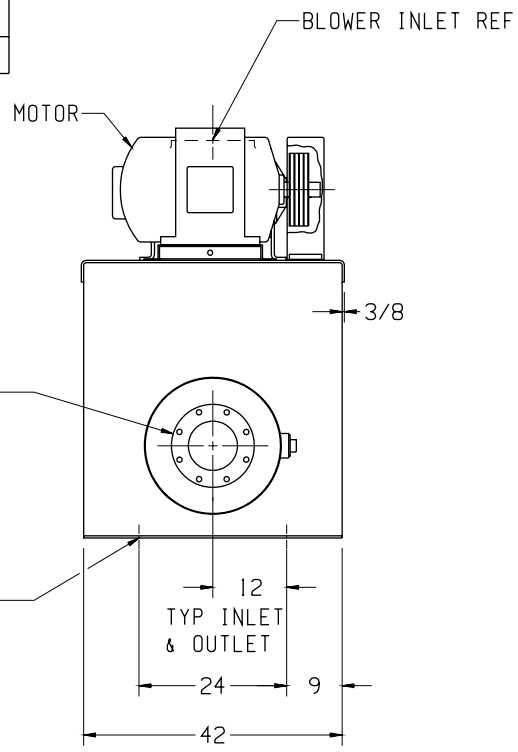


MOTOR W/SLIDE BASE
1800 RPM, 230/460 V. 3 PH. 60 HZ

HP	FRAME	TYPE
25	284T	ODP
30	286T	TEFC
40	324T	PREMIUM EFF TEFC
50	326T	SEVERE DUTY TEFC
60	364T	
75	365T	XPFC

BLOWER MODEL	W	X	Y	Z
7011	9 1/2	11	6	3/4-10UNC X 1 1/8 DP
7018	11 3/4	13 1/2	8	3/4-10UNC X 1 1/8 DP

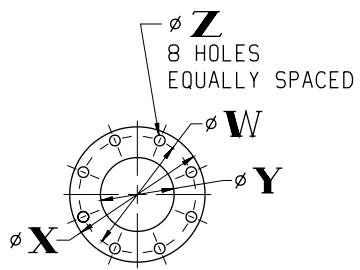
BLOWER	A	B
7011	64 5/8	6 FLG
7018	64 5/8	8 FLG



8" FLANGE
125/150 LB
ANSI DRILLING
OUTLET

3/4 WIDE X
1 LONG SLOT
6 PLCS

12
TYP INLET
& OUTLET



FLANGE DETAIL

APPROXIMATE WEIGHT

BASE, SILENCER, DRIVE, & GUARD	1215 LBS
BLOWER	___ LBS
MOTOR & SLIDE BASE	___ LBS
TOTAL WEIGHT	___ LBS

SERIAL NUMBER(S) _____
F.O. _____

Tuthill 800.825.6937

BASE MOUNTED OUTLINE PNEU-PAK-33-80-C

SIZE: C2

DR BD 6-5-02 CH _____