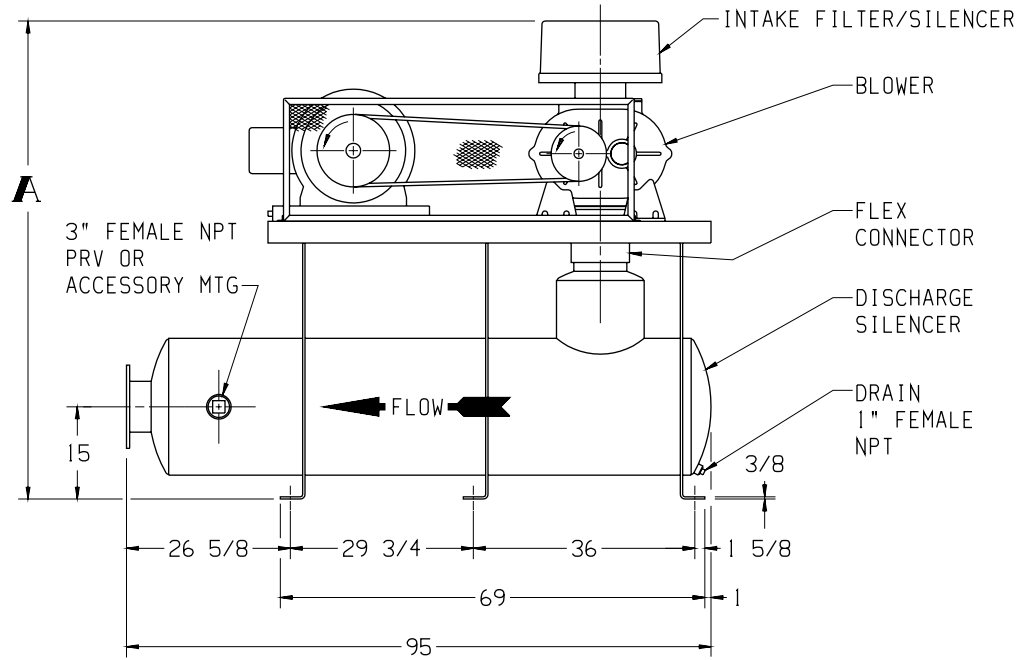
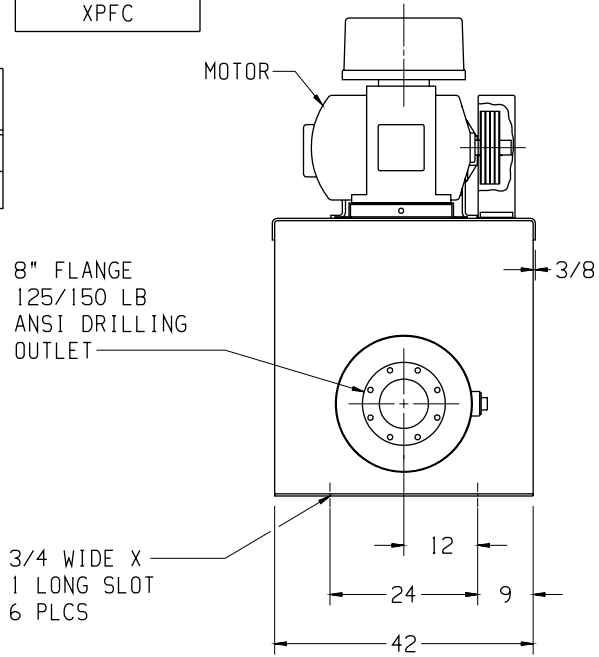


MOTOR W/SLIDE BASE  
1800 RPM, 230/460 V. 3 PH. 60 HZ

HP	FRAME	TYPE
25	284T	ODP
30	286T	TEFC
40	324T	PREMIUM EFF TEFC
50	326T	SEVERE DUTY TEFC
60	364T	
75	365T	XPFC

BLOWER	A
7011	81 3/4
7018	77 11/16



SERIAL NUMBER(S) \_\_\_\_\_  
\_\_\_\_\_  
F.O. \_\_\_\_\_

APPROXIMATE WEIGHT

BASE, SILENCER, FILTER, DRIVE, & GUARD	1265 LBS
BLOWER	___ LBS
MOTOR & SLIDE BASE	___ LBS
<b>TOTAL WEIGHT</b>	<b>___ LBS</b>

**Tuthill** 800.825.6937

BASE MOUNTED OUTLINE PNEU-PAK-33-80-B

SIZE: C2	
DR	BD 6-5-02
CH	_____