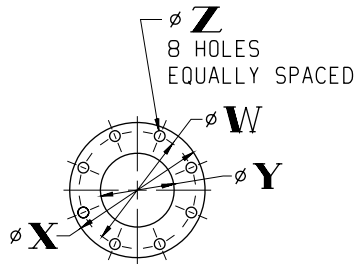
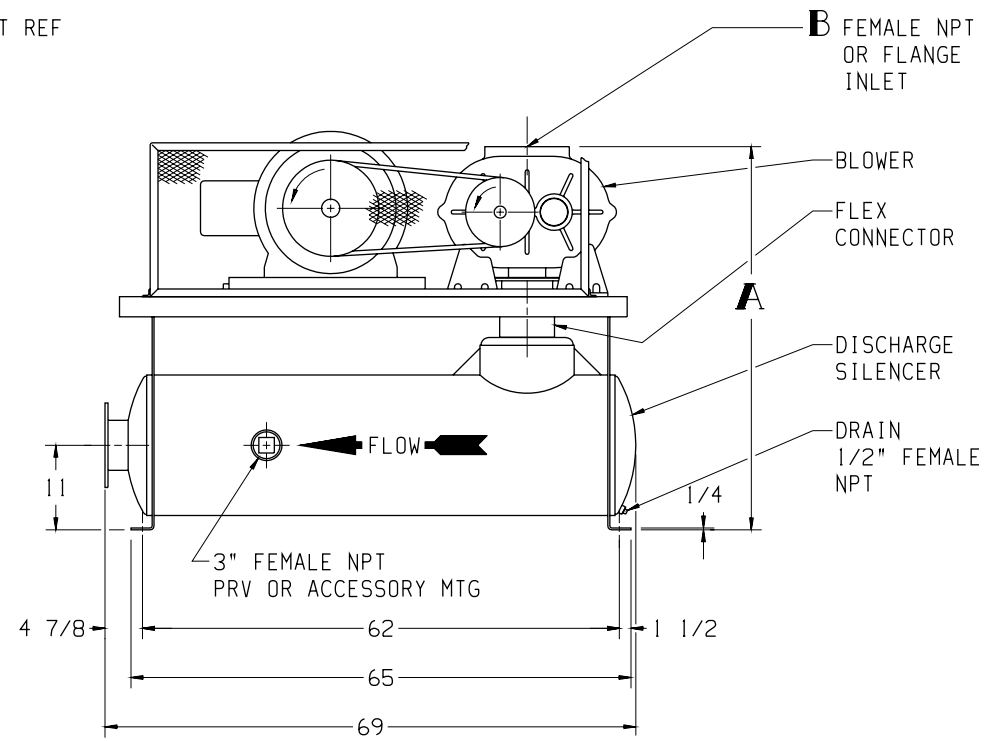
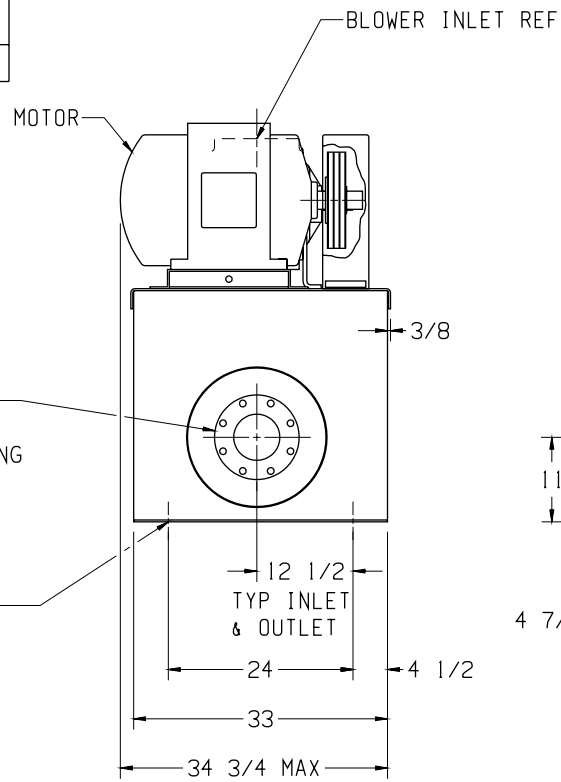


MOTOR W/SLIDE BASE
1800 RPM, 230/460 V. 3 PH. 60 HZ

HP	FRAME	TYPE
20	256T	ODP
25	284T	TEFC
30	286T	PREMIUM EFF TEFC
40	324T	TEFC
50	326T	SEVERE DUTY TEFC
60	364T	TEFC
75	365T	XPFC

BLOWER MODEL	W	X	Y	Z
6015 & 7011	9 1/2	11	6	3/4-10UNC X 1 1/8 DP

BLOWER	A	B
6008	45 3/8	5 NPT
6015	46 3/4	6 FLG
7006	51	4 NPT
7011	49 13/16	6 FLG



FLANGE DETAIL

APPROXIMATE WEIGHT

BASE, SILENCER, DRIVE, & GUARD	705 LBS
BLOWER	___ LBS
MOTOR & SLIDE BASE	___ LBS
TOTAL WEIGHT	___ LBS

SERIAL NUMBER(S) _____
F.O. _____

Tuthill 800.825.6937

BASE MOUNTED OUTLINE PNEU-PAK-33-60-C

SIZE:	
C2	
DR	BD 5-31-02
CH	_____