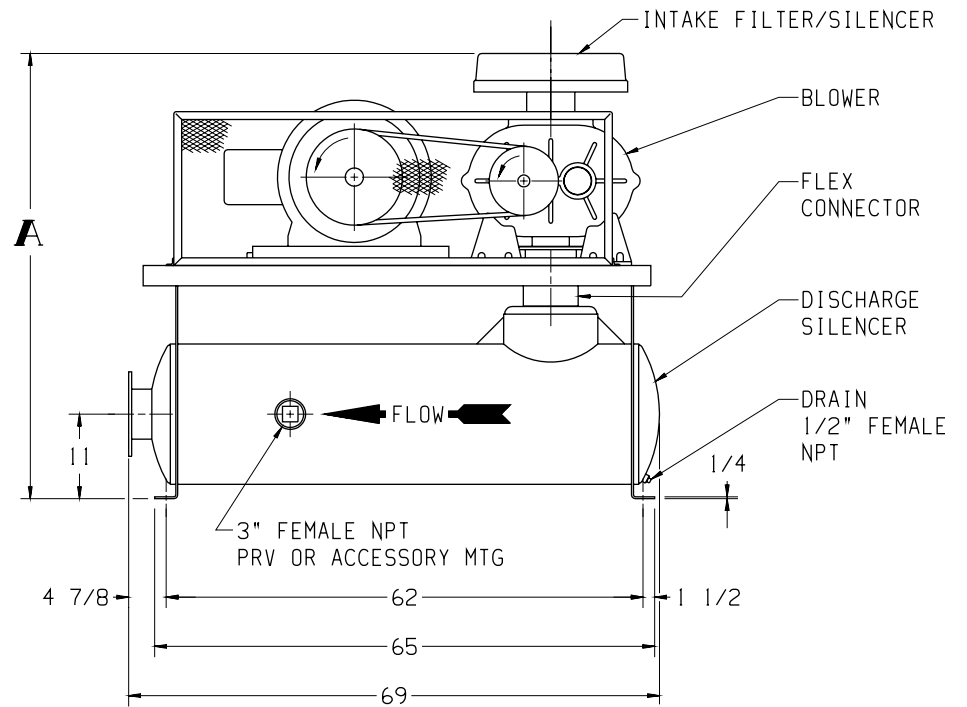
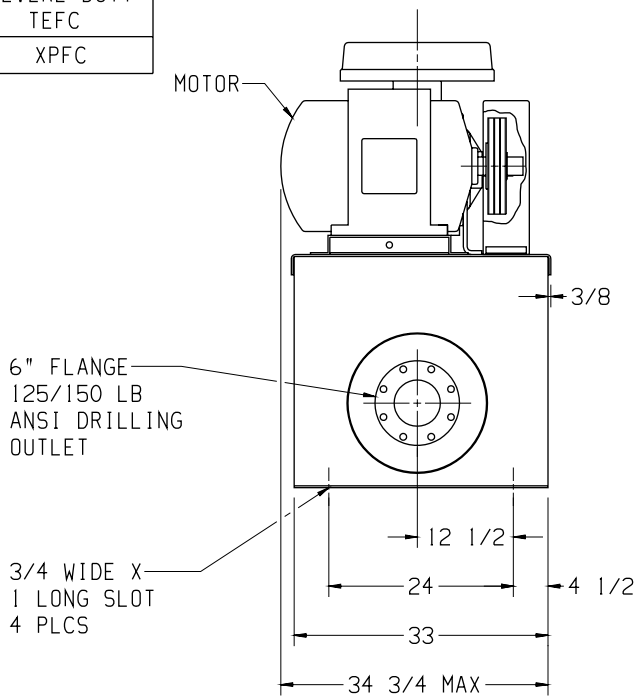


MOTOR W/SLIDE BASE
1800 RPM, 230/460 V. 3 PH. 60 HZ

HP	FRAME	TYPE
20	256T	ODP
25	284T	TEFC
30	286T	PREMIUM EFF TEFC
40	324T	TEFC
50	326T	SEVERE DUTY TEFC
60	364T	TEFC
75	365T	XPFC

BLOWER	A
6008	57 1/8
6015	54 11/16
7006	60 15/16
7011	57 7/8



SERIAL NUMBER(S) _____

F.O. _____

APPROXIMATE WEIGHT

BASE, SILENCER, FILTER, DRIVE, & GUARD	745 LBS
BLOWER	___ LBS
MOTOR & SLIDE BASE	___ LBS
TOTAL WEIGHT	___ LBS

Tuthill 800.825.6937

BASE MOUNTED OUTLINE PNEU-PAK-33-60-B

SIZE:	
C2	
DR	BD 5-31-02
CH	_____