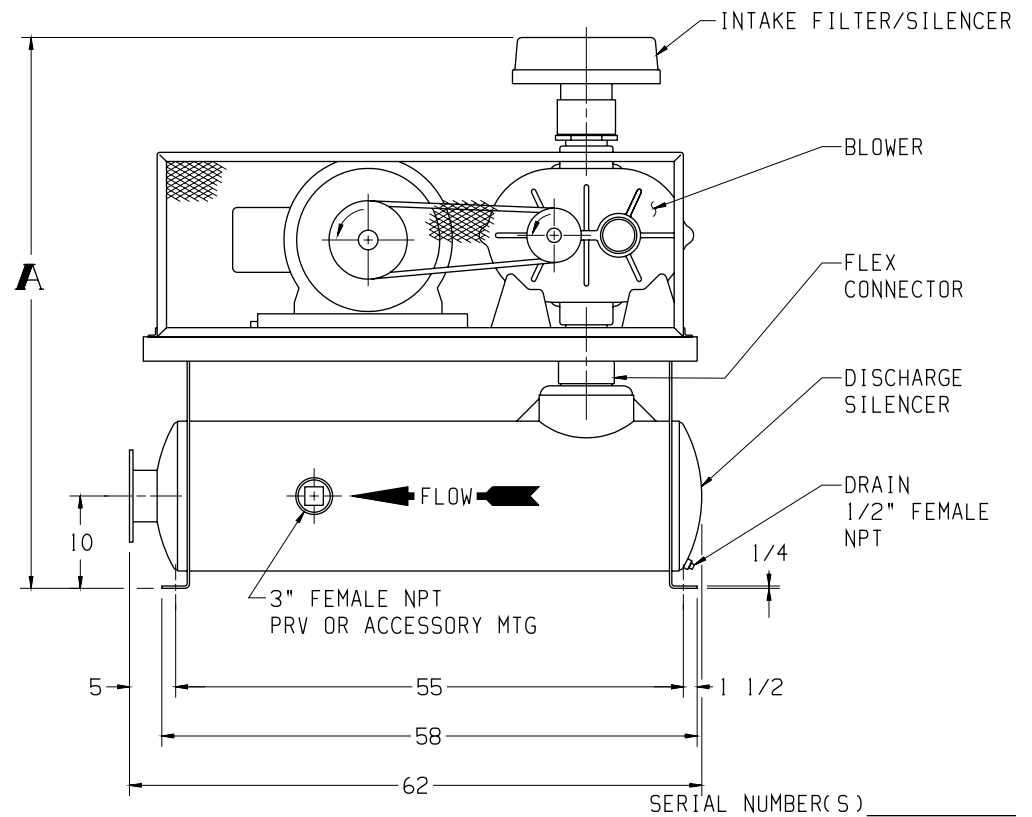
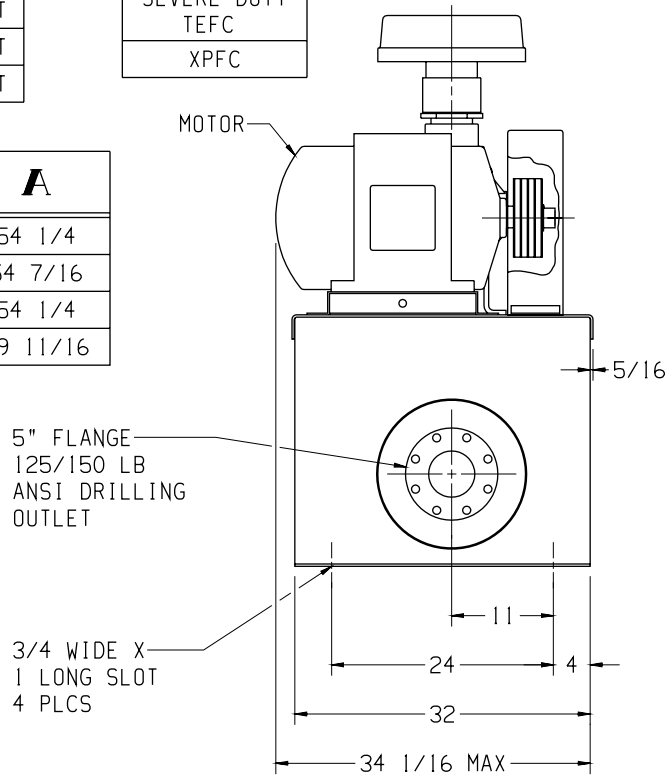


MOTOR W/SLIDE BASE
1800 RPM, 230/460 V. 3 PH. 60 HZ

HP	FRAME	TYPE
10	215T	ODP
15	254T	TEFC
20	256T	PREMIUM EFF TEFC
25	284T	TEFC
30	286T	SEVERE DUTY TEFC
40	324T	TEFC
50	326T	XPFC

BLOWER	A
5009	54 1/4
6005	54 7/16
6008	54 1/4
7006	59 11/16



APPROXIMATE WEIGHT

BASE, SILENCER, FILTER, DRIVE, & GUARD	555 LBS
BLOWER	___ LBS
MOTOR & SLIDE BASE	___ LBS
TOTAL WEIGHT	___ LBS

Tuthill 800.825.6937

BASE MOUNTED OUTLINE PNEU-PAK-33-50-B

SIZE:
C2

DR BD 5-24-02 CH _____