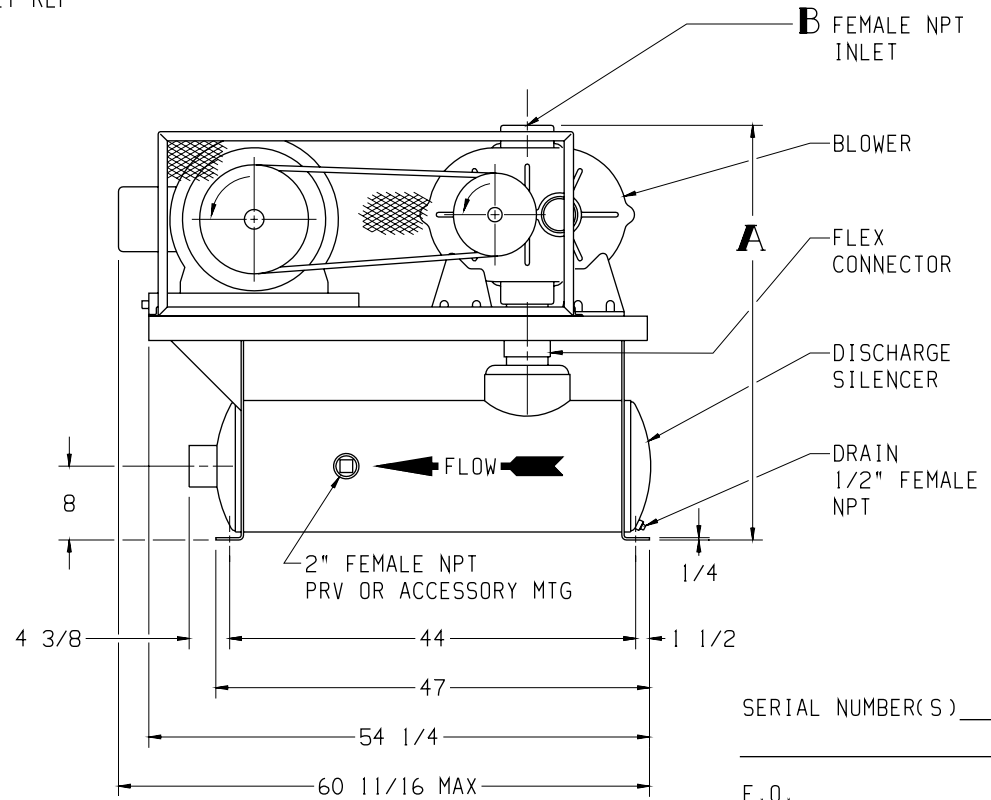
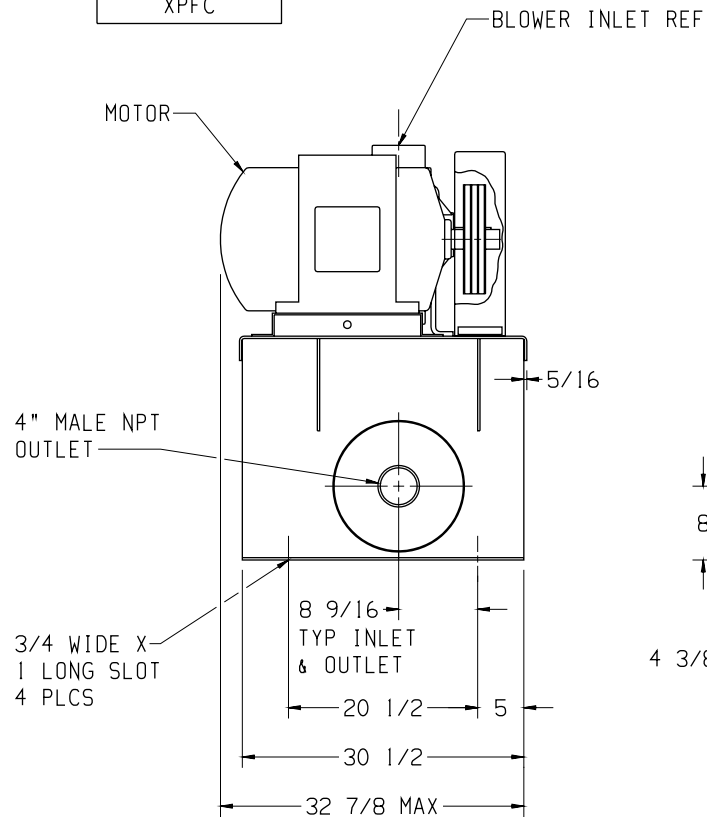


MOTOR W/SLIDE BASE		TYPE
HP	FRAME	
1800 RPM, 230/460 V, 3 PH, 60 HZ		
7 1/2	213T	ODP
10	215T	TEFC
15	254T	PREMIUM EFF TEFC
20	256T	SEVERE DUTY TEFC
25	284T	XPF
30	286T	
40	324T	
50	326T	

BLOWER	A	B
4007	34 7/8	3 NPT
5006	36 3/8	4 NPT
5009	36 3/8	4 NPT
6005	39 5/16	5 NPT
7006	44 15/16	4 NPT



SERIAL NUMBER(S) _____
 F.O. _____

APPROXIMATE WEIGHT	
BASE, SILENCER, DRIVE & GUARD	342 LBS
BLOWER	___ LBS
MOTOR & SLIDE BASE	___ LBS
TOTAL WEIGHT	___ LBS

Tuthill 800.825.6937

BASE MOUNTED OUTLINE PNEU-PAK-33-40-C

SIZE:	
C2	
DR	BD 5-1-02
CH	_____