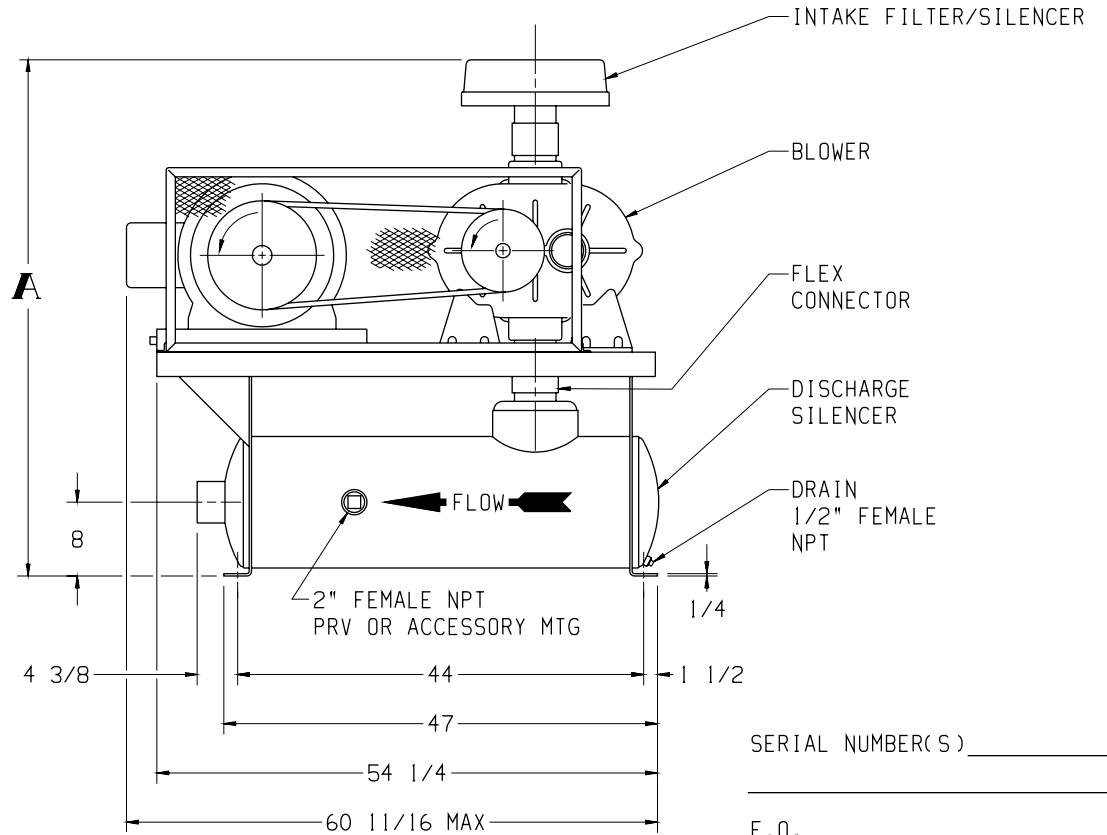
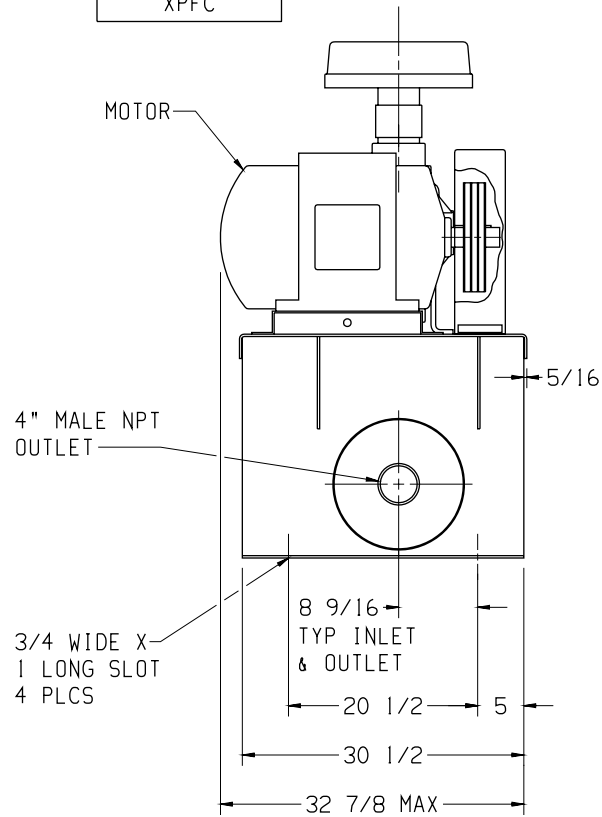


MOTOR W/SLIDE BASE		1800 RPM, 230/460 V, 3 PH, 60 HZ	
HP	FRAME	TYPE	
7 1/2	213T	ODP	
10	215T	TEFC	
15	254T	PREMIUM EFF TEFC	
20	256T	SEVERE DUTY TEFC	
25	284T	XPFC	
30	286T		
40	324T		
50	326T		

BLOWER	A
4007	51 1/8
5006	51 1/2
5009	51 1/2
6005	51 1/4
7006	55 15/16



SERIAL NUMBER(S) \_\_\_\_\_  
 F.O. \_\_\_\_\_

APPROXIMATE WEIGHT	
BASE, SILENCER, FILTER, DRIVE, & GUARD	362 LBS
BLOWER	___ LBS
MOTOR & SLIDE BASE	___ LBS
<b>TOTAL WEIGHT</b>	<b>___ LBS</b>

**Tuthill** 800.825.6937

BASE MOUNTED OUTLINE PNEU-PAK-33-40-B

SIZE:	
C2	
DR	BD 5-1-02
CH	_____