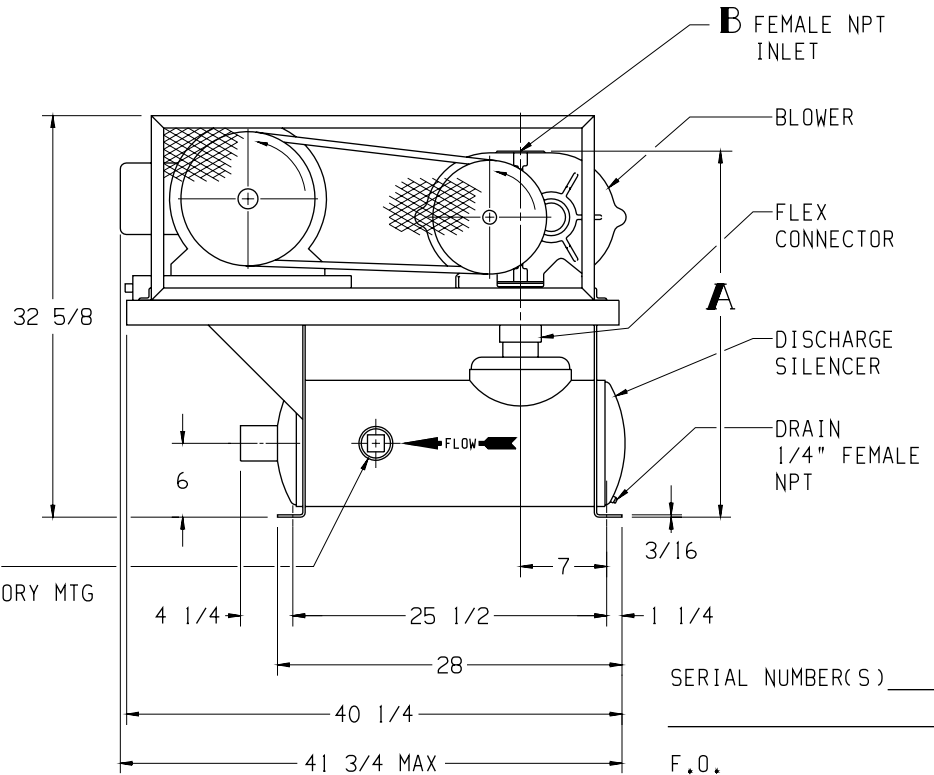
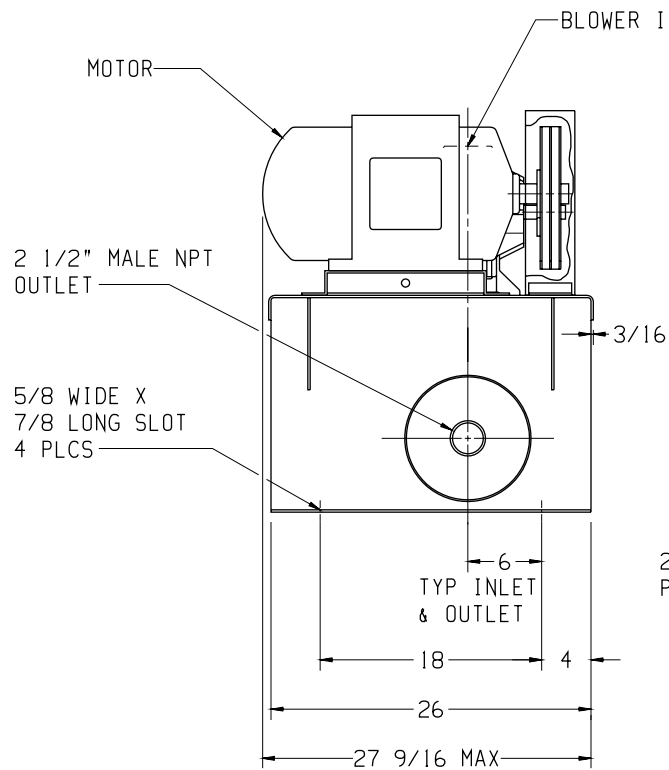


MOTOR W/SLIDE BASE		
1800 RPM, 230/460 V, 3 PH, 60 HZ		
HP	FRAME	TYPE
3	182T	ODP
5	184T	TEFC
7 1/2	213T	PREMIUM DUTY TEFC
10	215T	SEVERE DUTY TEFC
15	254T	
20	256T	TEXP

BLOWER	A	B
3003	26 9/16	2 NPT
3006	26 9/16	2 1/2 NPT
4002	28 1/4	1 1/2 NPT
4005	28 1/4	2 1/2 NPT
5003	29 3/4	2 1/2 NPT



2" FEMALE NPT
PRV OR ACCESSORY MTG

APPROXIMATE WEIGHT

BASE, SILENCER, DRIVE, & GUARD	215 LBS
BLOWER	___ LBS
MOTOR & SLIDE BASE	___ LBS
TOTAL WEIGHT	___ LBS

Tuthill 800.825.6937

BASE MOUNTED OUTLINE PNEU-PAK-33-25-C

SIZE:
C2

DR BD 2-11-02 CH _____