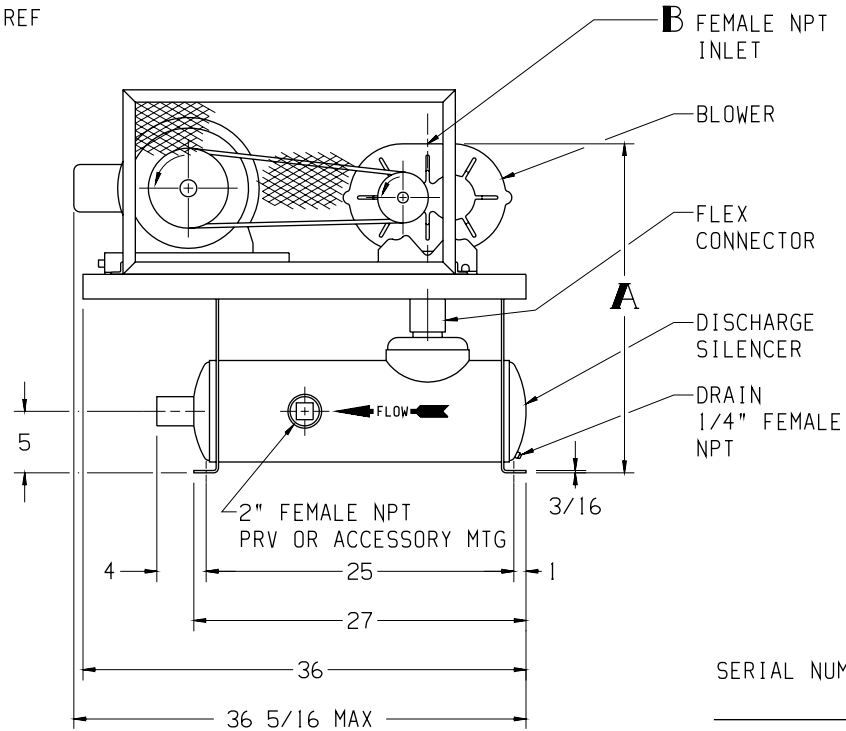
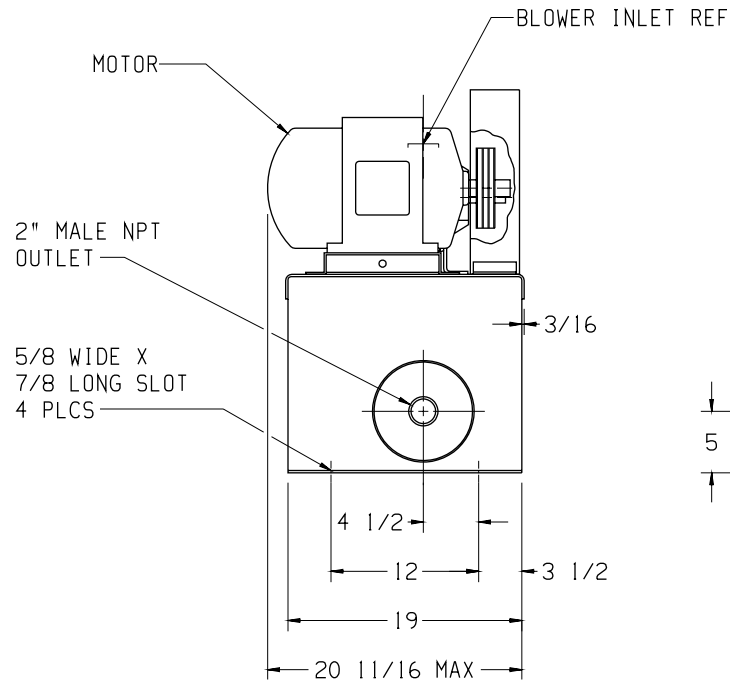


| MOTOR W/SLIDE BASE | | |
|----------------------------------|-------|------------------|
| 1800 RPM, 230/460 V, 3 PH, 60 HZ | | |
| HP | FRAME | TYPE |
| 2 | 145T | ODP |
| 3 | 182T | TEFC |
| 5 | 184T | PREMIUM EFF TEFC |
| 7 1/2 | 213T | SEVERE DUTY TEFC |
| 10 | 215T | XPFC |

| BLOWER | A | B |
|--------|---------|-----------|
| 2002 | 23 1/16 | 1 NPT |
| 2004 | 23 1/16 | 2 NPT |
| 3002 | 25 1/16 | 1 1/4 NPT |
| 3003 | 25 1/16 | 2 NPT |
| 4002 | 26 3/4 | 1 1/2 NPT |



SERIAL NUMBER(S) _____

 F.O. _____

| | |
|-----------------------------------|----------------|
| APPROXIMATE WEIGHT | |
| BASE, SILENCER, DRIVE, & GUARD | 150 LBS |
| BLOWER | ___ LBS |
| MOTOR & SLIDE BASE | ___ LBS |
| TOTAL WEIGHT | ___ LBS |

Tuthill 800.825.6937

BASE MOUNTED OUTLINE PNEU-PAK-33-20-C

| | |
|-------|------------|
| SIZE: | |
| C2 | |
| DR | BD 2-26-02 |
| CH | _____ |