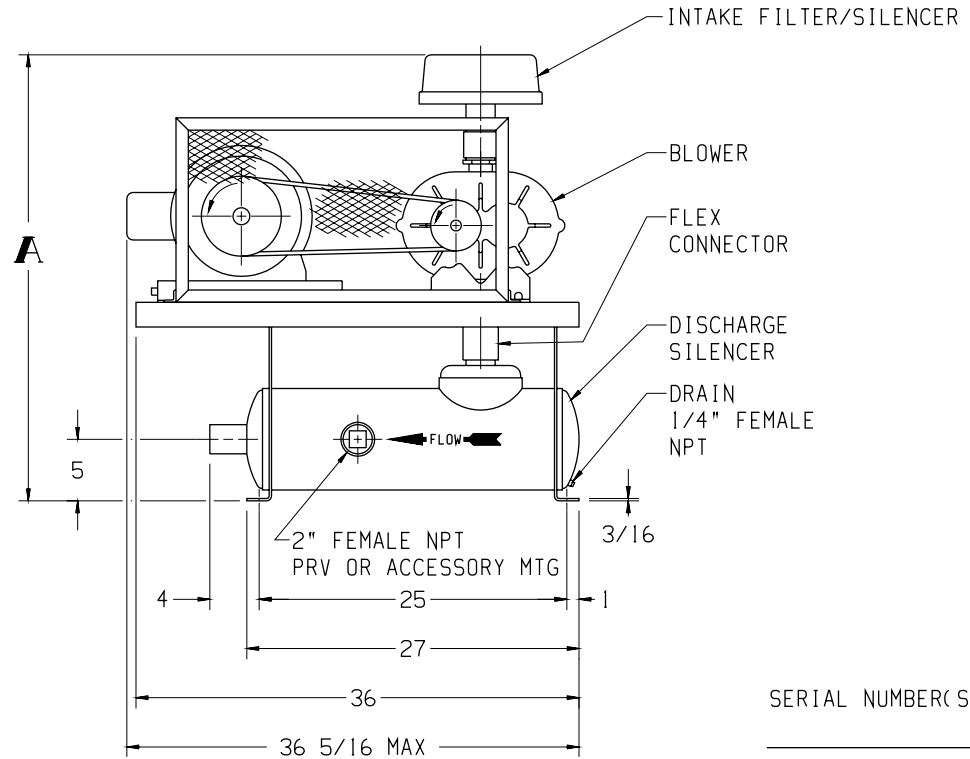
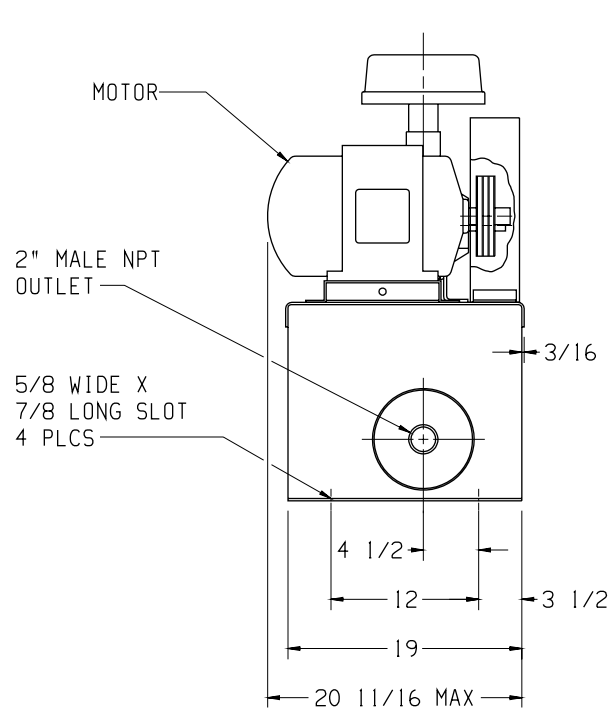


MOTOR W/SLIDE BASE		TYPE
HP	FRAME	
1800 RPM, 230/460 V, 3 PH, 60 HZ		
2	145T	ODP
3	182T	TEFC
5	184T	PREMIUM EFF TEFC
7 1/2	213T	SEVERE DUTY TEFC
10	215T	XPFC

BLOWER	A
2002	36 9/16
2004	36 15/16
3002	36 9/16
3003	36 7/16
4002	36 1/4



SERIAL NUMBER(S) _____

 F.O. _____

APPROXIMATE WEIGHT	
BASE, SILENCER, FILTER, DRIVE, & GUARD	155 LBS
BLOWER	___ LBS
MOTOR & SLIDE BASE	___ LBS
TOTAL WEIGHT	___ LBS

Tuthill 800.825.6937

BASE MOUNTED OUTLINE PNEU-PAK-33-20-B

SIZE:	
C2	
DR	BD 2-26-02
CH	_____