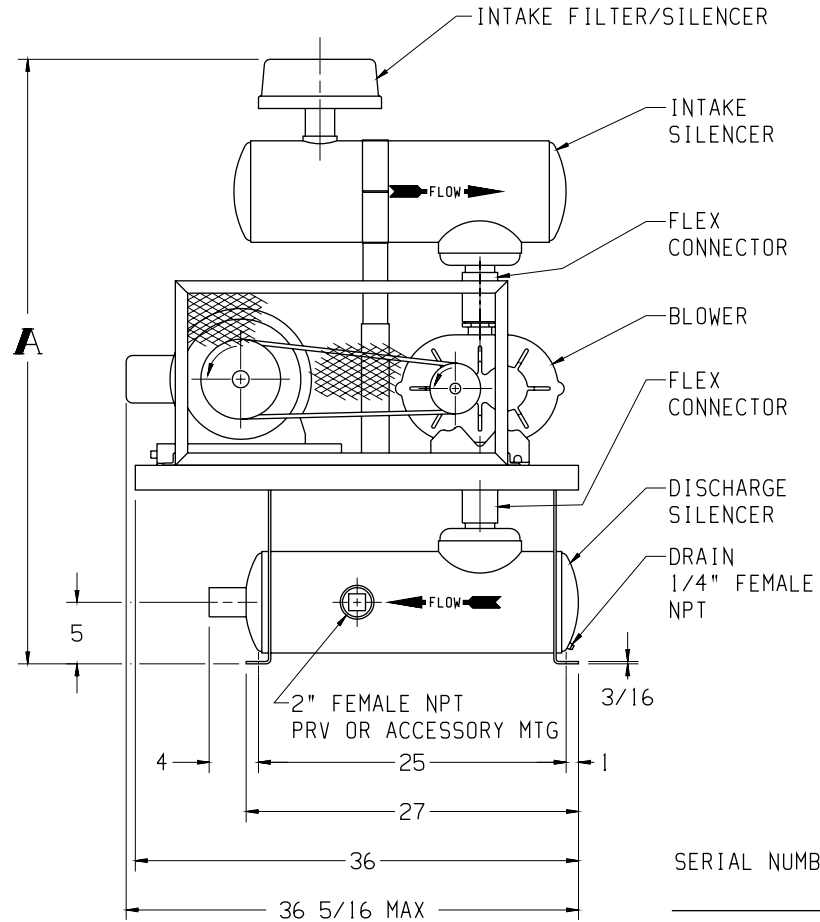
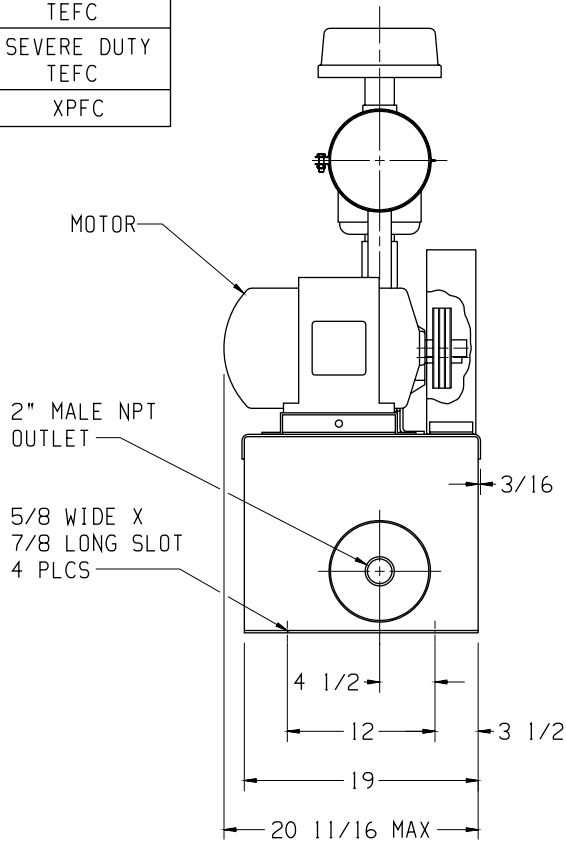


MOTOR W/SLIDE BASE
1800 RPM, 230/460 V, 3 PH, 60 HZ

HP	FRAME	TYPE
2	145T	ODP
3	182T	TEFC
5	184T	PREMIUM EFF TEFC
7 1/2	213T	SEVERE DUTY TEFC
10	215T	XPFC

BLOWER	A
2002	49 1/8
2004	49 1/8
3002	49 1/8
3003	49 1/8
4002	49 1/8



SERIAL NUMBER(S) _____
F.O. _____

APPROXIMATE WEIGHT	
BASE, SILENCERS, FILTER, DRIVE, & GUARD	195 LBS
BLOWER	___ LBS
MOTOR & SLIDE BASE	___ LBS
TOTAL WEIGHT	___ LBS

Tuthill 800.825.6937

BASE MOUNTED OUTLINE PNEU-PAK-33-20-A

SIZE:	C2
DR	BD 2-26-02
CH	_____