

MOTOR W/SLIDE BASE
1800 RPM, 230/460 V. 3 PH. 60 HZ

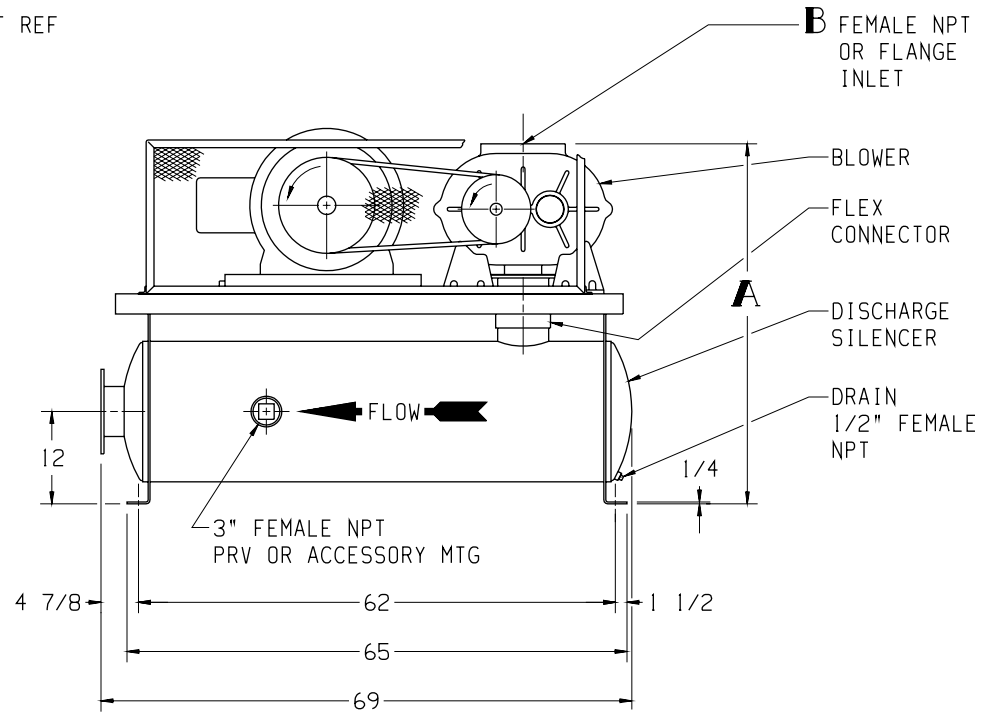
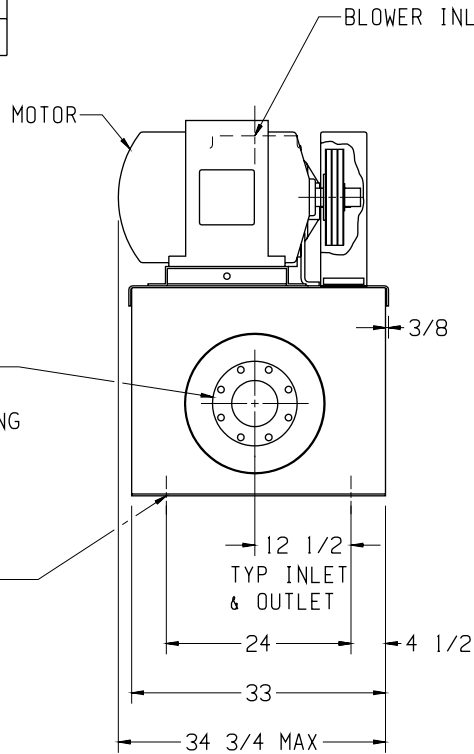
HP	FRAME	TYPE
20	256T	ODP
25	284T	TEFC
30	286T	PREMIUM EFF TEFC
40	324T	SEVERE DUTY TEFC
50	326T	SEVERE DUTY TEFC
60	364T	SEVERE DUTY TEFC
75	365T	XPFC

BLOWER MODEL	W	X	Y	Z
6015 & 7011	9 1/2	11	6	3/4-10UNC X 1 1/8 DP

BLOWER	A	B
6008	42 3/8	5 NPT
6015	43 3/4	6 FLG
7006	48	4 NPT
7011	46 13/16	6 FLG

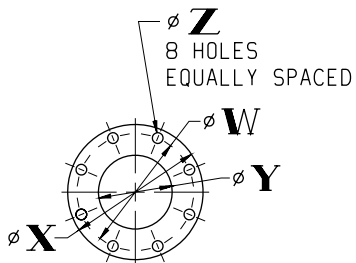
6" FLANGE
125/150 LB
ANSI DRILLING
OUTLET

3/4 WIDE X
1 LONG SLOT
4 PLCS




SERIAL NUMBER(S) _____

F.O. _____



FLANGE DETAIL

APPROXIMATE WEIGHT	
BASE, SILENCER, DRIVE, & GUARD	675 LBS
BLOWER	___ LBS
MOTOR & SLIDE BASE	___ LBS
TOTAL WEIGHT	___ LBS

 800.825.6937	
BASE MOUNTED OUTLINE PNEU-PAK-13-60-C	
SIZE: C2	
DR <u>BD 5-31-02</u>	CH _____