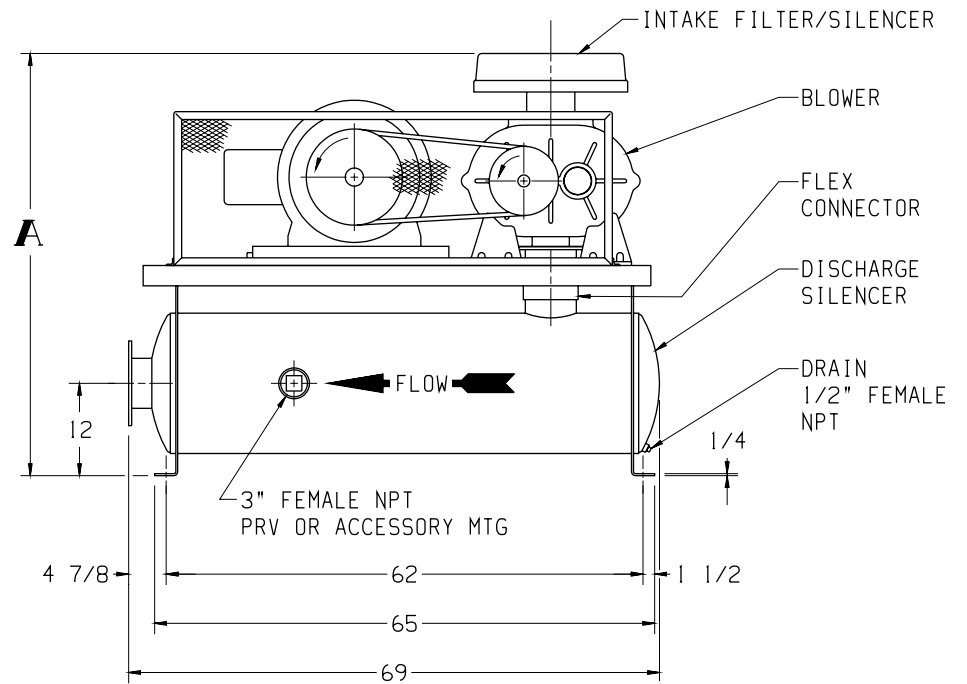
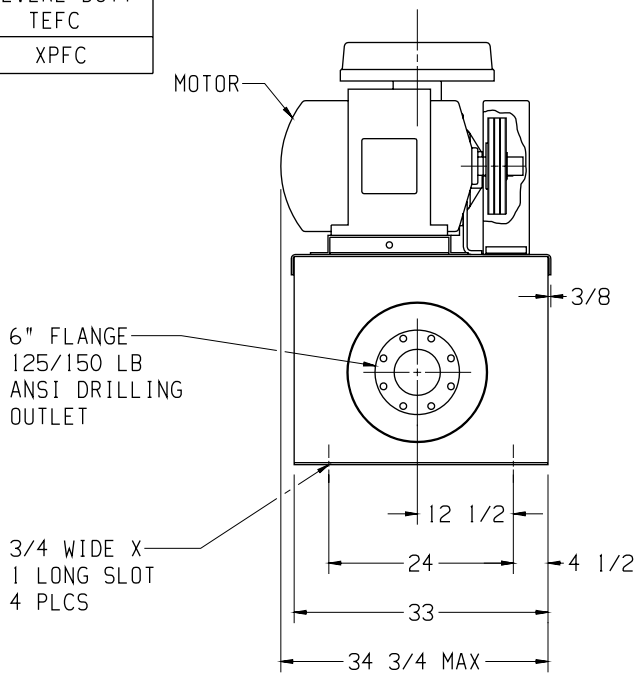


MOTOR W/SLIDE BASE  
1800 RPM, 230/460 V. 3 PH. 60 HZ

HP	FRAME	TYPE
20	256T	ODP
25	284T	TEFC
30	286T	PREMIUM EFF TEFC
40	324T	SEVERE DUTY TEFC
50	326T	SEVERE DUTY TEFC
60	364T	SEVERE DUTY TEFC
75	365T	XPFC

BLOWER	A
6008	54 1/8
6015	51 11/16
7006	57 15/16
7011	54 7/8



SERIAL NUMBER(S) \_\_\_\_\_

F.O. \_\_\_\_\_

APPROXIMATE WEIGHT

BASE, SILENCER, FILTER, DRIVE, & GUARD	715 LBS
BLOWER	___ LBS
MOTOR & SLIDE BASE	___ LBS
<b>TOTAL WEIGHT</b>	<b>___ LBS</b>

**Tuthill** 800.825.6937

BASE MOUNTED OUTLINE PNEU-PAK-13-60-B

SIZE:  
C2

DR BD 5-31-02 CH \_\_\_\_\_