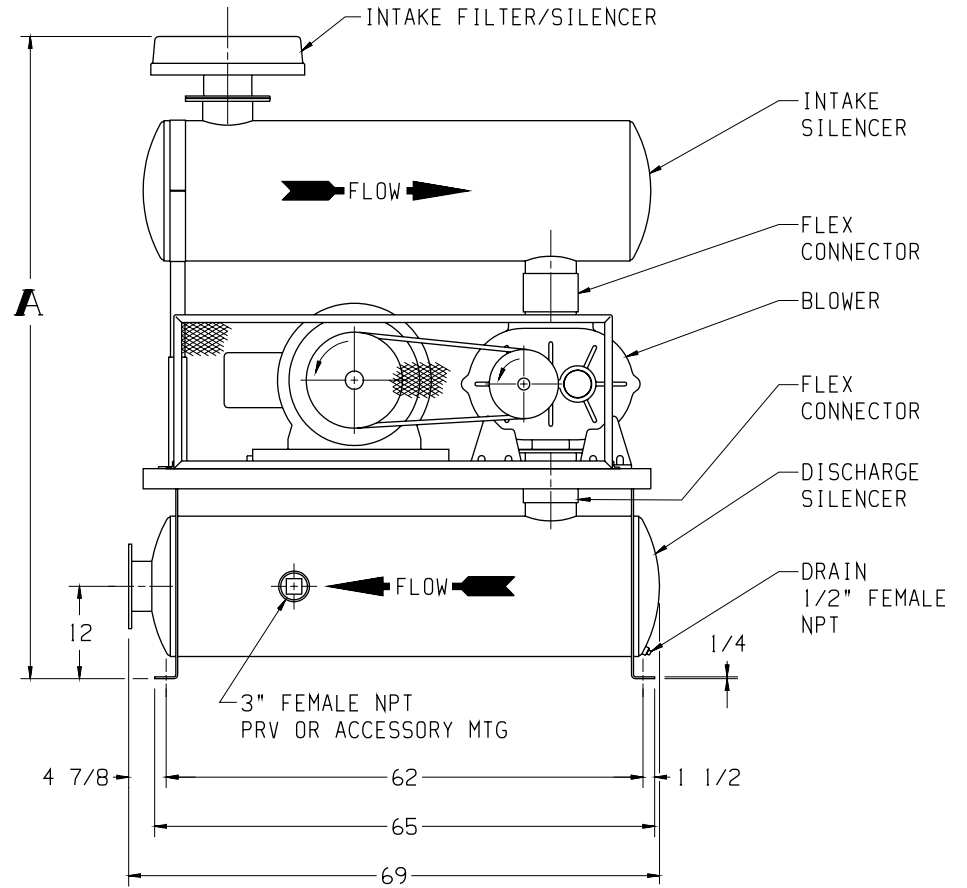
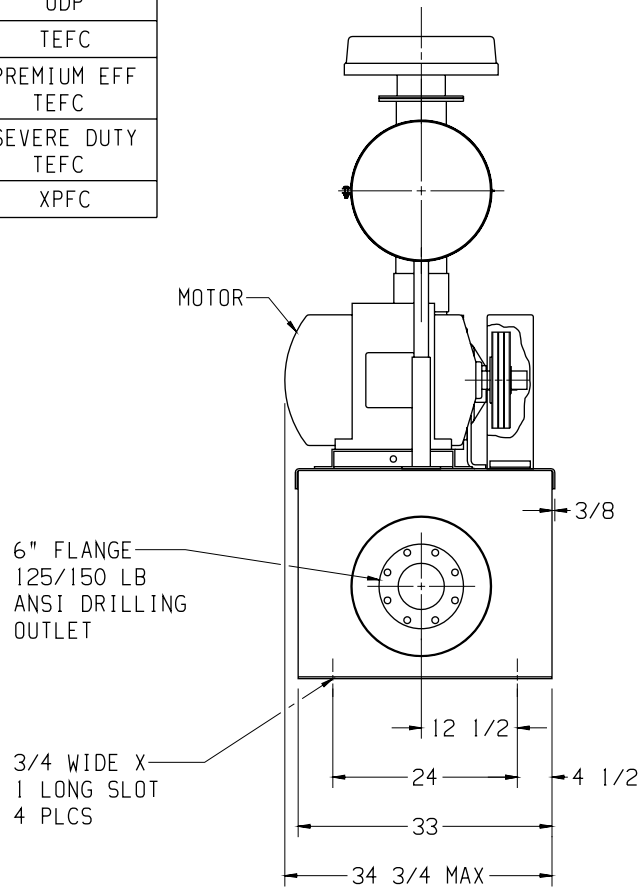


MOTOR W/SLIDE BASE  
1800 RPM, 230/460 V. 3 PH. 60 HZ

HP	FRAME	TYPE
20	256T	ODP
25	284T	TEFC
30	286T	PREMIUM EFF TEFC
40	324T	TEFC
50	326T	SEVERE DUTY TEFC
60	364T	TEFC
75	365T	XPFC

BLOWER	A
6008	82 5/16
6015	82 5/16
7006	84 7/16
7011	83 1/2



SERIAL NUMBER(S) \_\_\_\_\_

F.O. \_\_\_\_\_

APPROXIMATE WEIGHT

BASE, SILENCERS, FILTER, DRIVE, & GUARD	895 LBS
BLOWER	___ LBS
MOTOR & SLIDE BASE	___ LBS
<b>TOTAL WEIGHT</b>	<b>___ LBS</b>

**Tuthill** 800.825.6937

BASE MOUNTED OUTLINE PNEU-PAK-13-60-A

SIZE: C2	
DR	BD 5-30-02
CH	_____