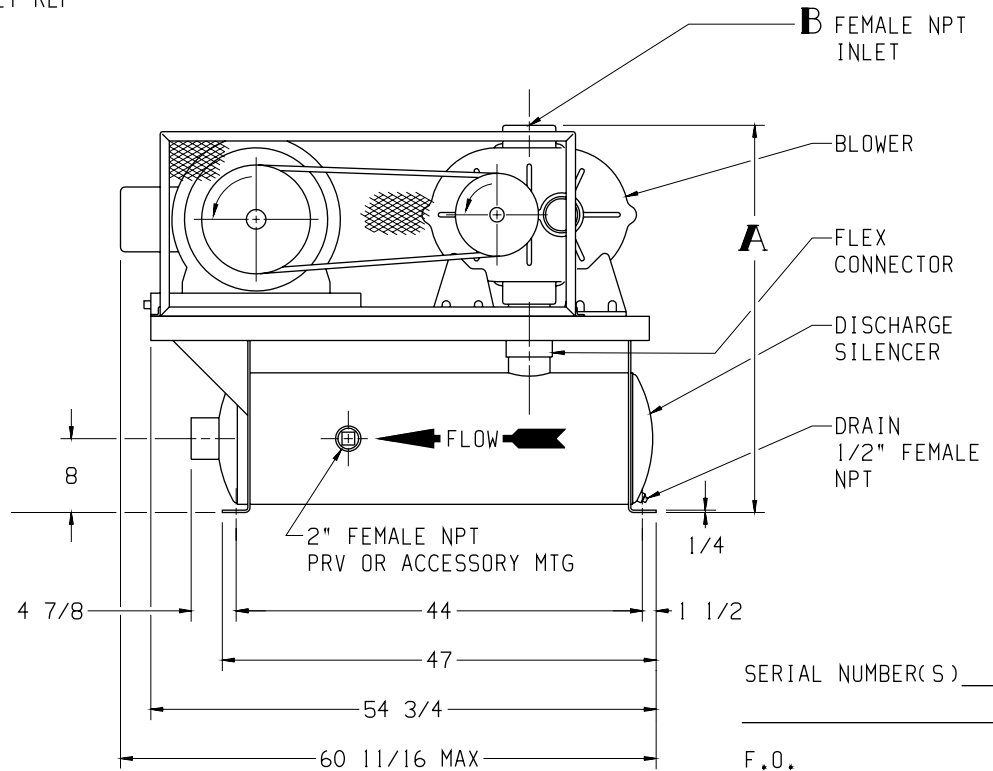
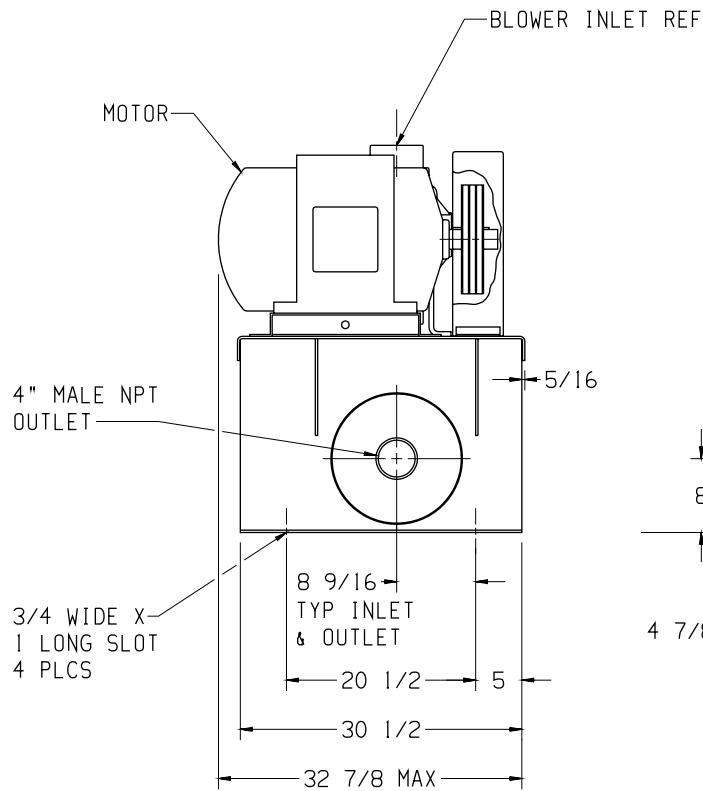


MOTOR W/SLIDE BASE		1800 RPM, 230/460 V, 3 PH, 60 HZ	
HP	FRAME	TYPE	
7 1/2	213T	ODP	
10	215T	TEFC	
15	254T	PREMIUM EFF TEFC	
20	256T	SEVERE DUTY TEFC	
25	284T	XPFC	
30	286T		
40	324T		
50	326T		

BLOWER	A	B
4007	31 7/8	3 NPT
5006	33 3/8	4 NPT
5009	33 3/8	4 NPT
6005	36 5/16	5 NPT
7006	41 15/16	4 NPT



SERIAL NUMBER(S) \_\_\_\_\_  
 F.O. \_\_\_\_\_

APPROXIMATE WEIGHT	
BASE, SILENCER, DRIVE & GUARD	352 LBS
BLOWER	___ LBS
MOTOR & SLIDE BASE	___ LBS
<b>TOTAL WEIGHT</b>	<b>___ LBS</b>

**Tuthill** 800.825.6937

BASE MOUNTED OUTLINE PNEU-PAK-13-40-C

SIZE:	
C2	
DR	BD 5-1-02
CH	_____