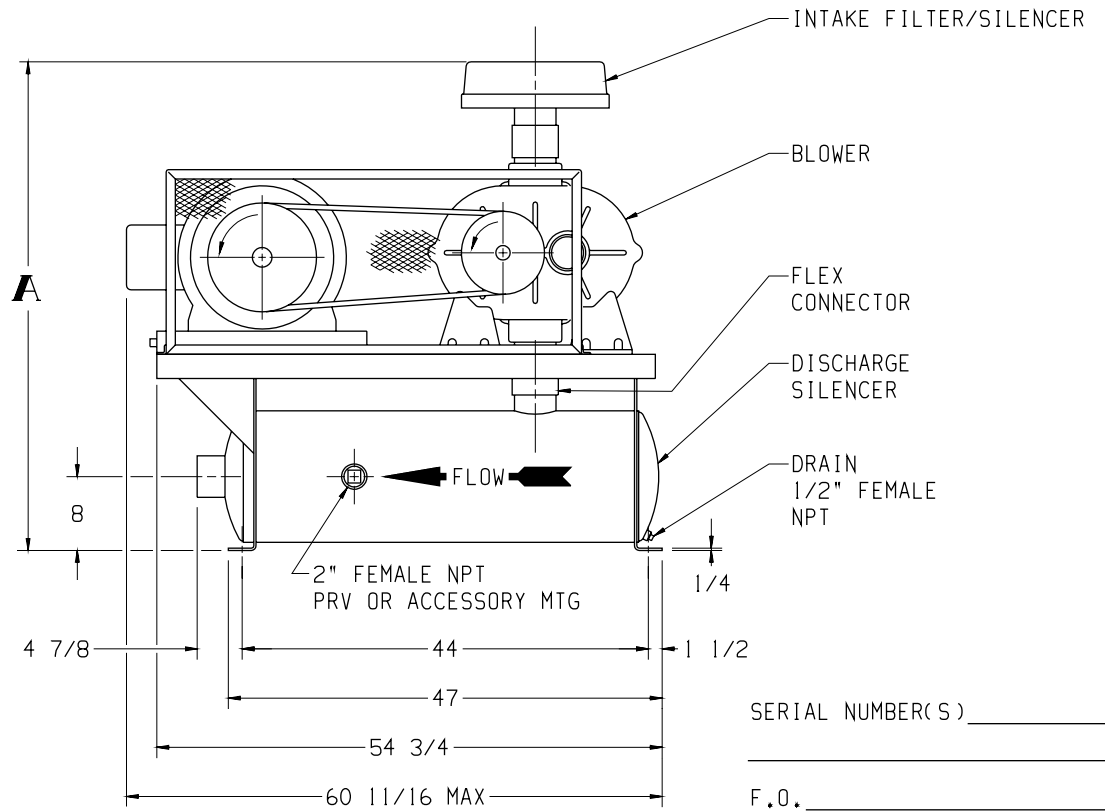
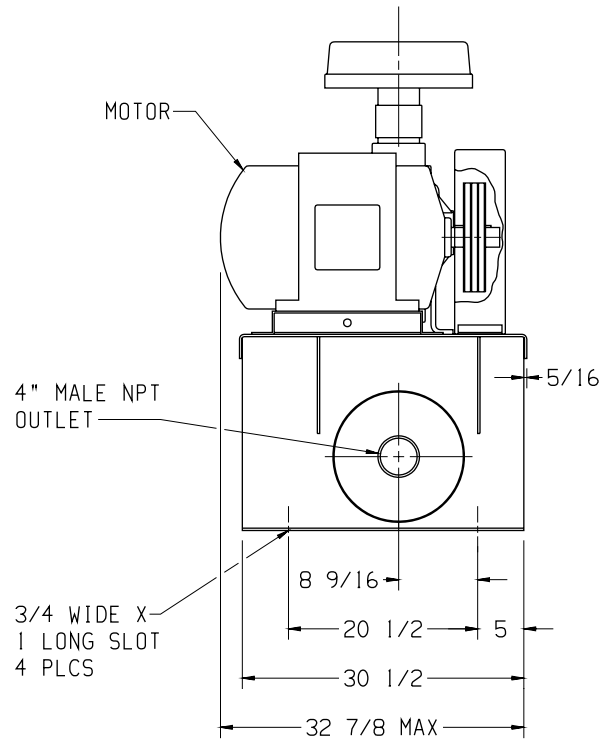


MOTOR W/SLIDE BASE		1800 RPM, 230/460 V, 3 PH, 60 HZ	
HP	FRAME	TYPE	
7 1/2	213T	ODP	
10	215T	TEFC	
15	254T	PREMIUM EFF TEFC	
20	256T	SEVERE DUTY TEFC	
25	284T	XPFC	
30	286T		
40	324T		
50	326T		

BLOWER	A
4007	48 1/8
5006	48 1/2
5009	48 1/2
6005	48 1/4
7006	52 15/16



SERIAL NUMBER(S) _____
 F.O. _____

APPROXIMATE WEIGHT	
BASE, SILENCER, FILTER, DRIVE, & GUARD	372 LBS
BLOWER	___ LBS
MOTOR & SLIDE BASE	___ LBS
TOTAL WEIGHT	___ LBS

Tuthill 800.825.6937

BASE MOUNTED OUTLINE PNEU-PAK-13-40-B

SIZE:	
C2	
DR	BD 5-1-02
CH	_____