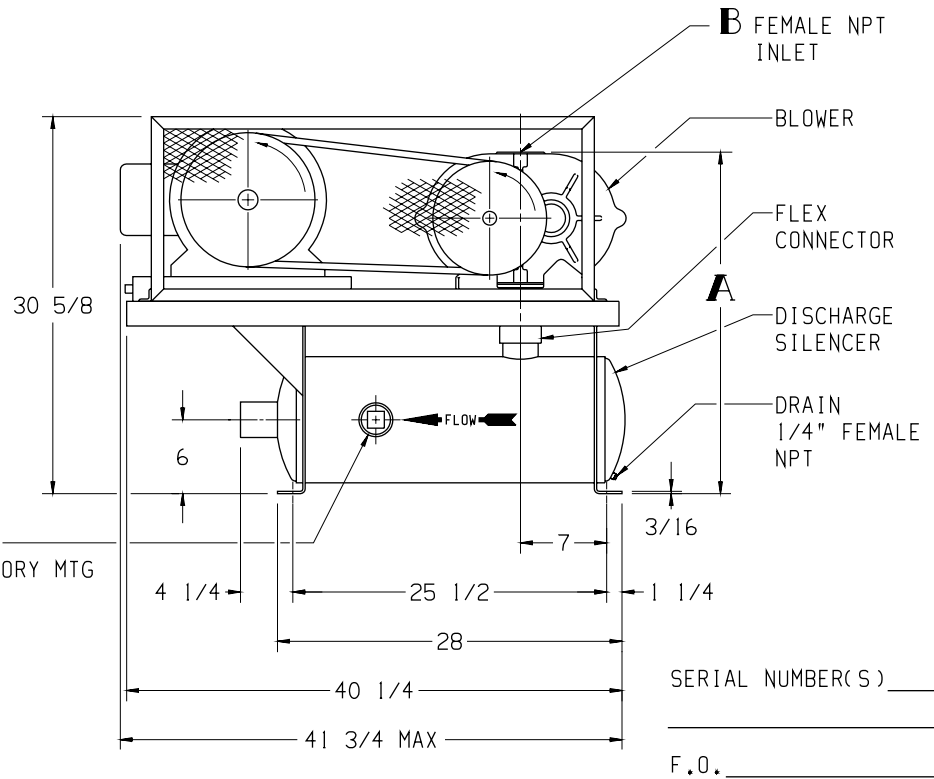
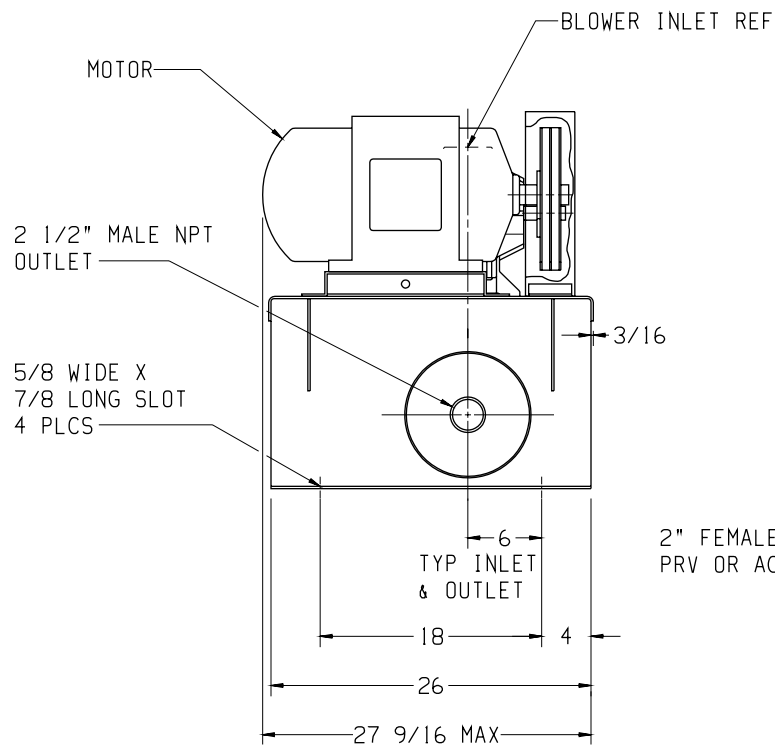


MOTOR W/SLIDE BASE		
HP	FRAME	TYPE
3	182T	ODP
5	184T	TEFC
7 1/2	213T	PREMIUM DUTY TEFC
10	215T	SEVERE DUTY TEFC
15	254T	TEXP
20	256T	

BLOWER	A	B
3003	24 9/16	2 NPT
3006	24 9/16	2 1/2 NPT
4002	26 1/4	1 1/2 NPT
4005	26 1/4	2 1/2 NPT
5003	27 3/4	2 1/2 NPT



2" FEMALE NPT  
PRV OR ACCESSORY MTG

SERIAL NUMBER(S) \_\_\_\_\_  
F.O. \_\_\_\_\_

APPROXIMATE WEIGHT	
BASE, SILENCER, DRIVE, & GUARD	200 LBS
BLOWER	___ LBS
MOTOR & SLIDE BASE	___ LBS
TOTAL WEIGHT	___ LBS

**Tuthill** 800.825.6937

BASE MOUNTED OUTLINE PNEU-PAK-13-25-C

SIZE: C2	
DR	BD 1-22-02
CH	_____