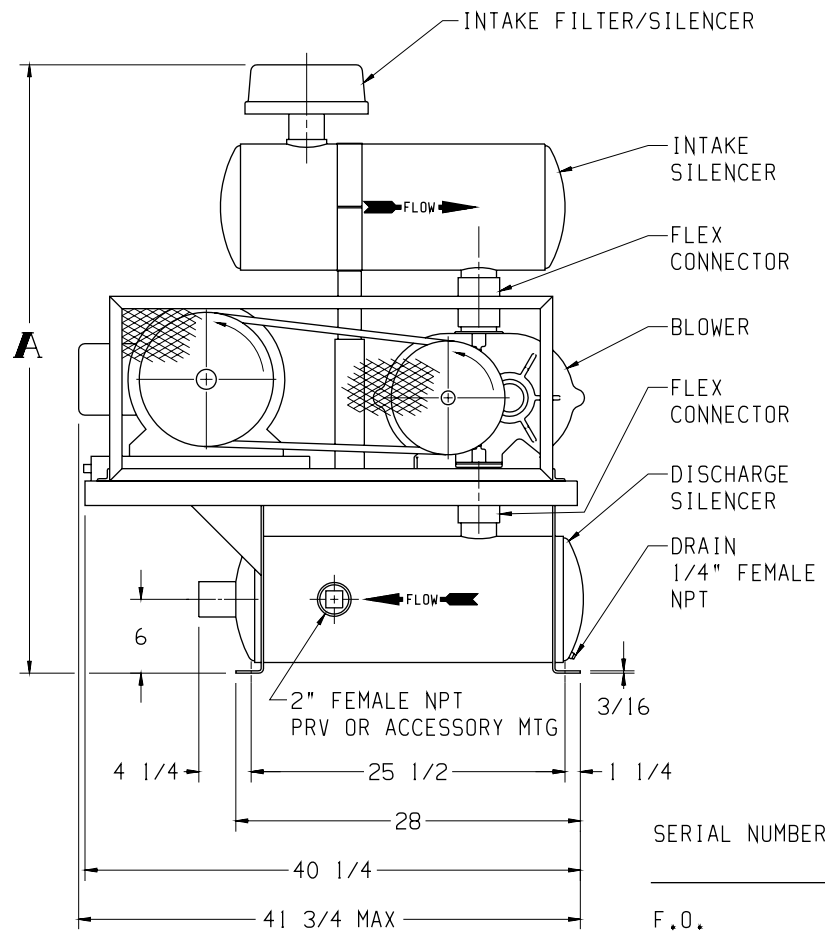
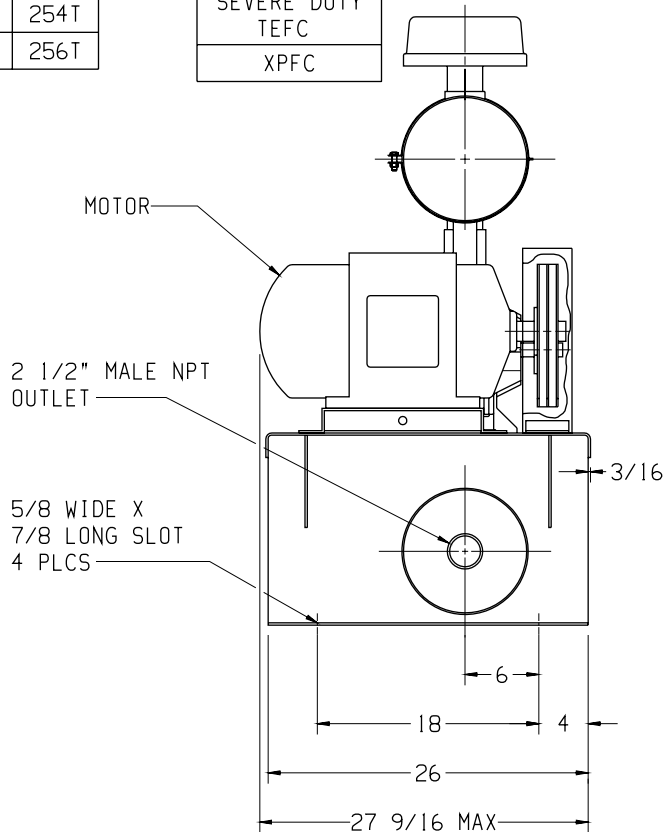


MOTOR W/SLIDE BASE
1800 RPM, 230/460 V, 3 PH, 60 HZ

HP	FRAME	TYPE
3	182T	ODP
5	184T	TEFC
7 1/2	213T	PREMIUM EFF TEFC
10	215T	SEVERE DUTY TEFC
15	254T	XPFC
20	256T	

BLOWER	A
3003	48 3/16
3006	48 3/16
4002	49 3/16
4005	49 3/16
5003	49 7/16



APPROXIMATE WEIGHT

BASE, SILENCERS, FILTER, DRIVE, & GUARD	250 LBS
BLOWER	___ LBS
MOTOR & SLIDE BASE	___ LBS
TOTAL WEIGHT	___ LBS

SERIAL NUMBER(S) _____
F.O. _____

Tuthill 800.825.6937

BASE MOUNTED OUTLINE PNEU-PAK-13-25-A

SIZE:	
C2	
DR	BD 1-22-02
CH	_____