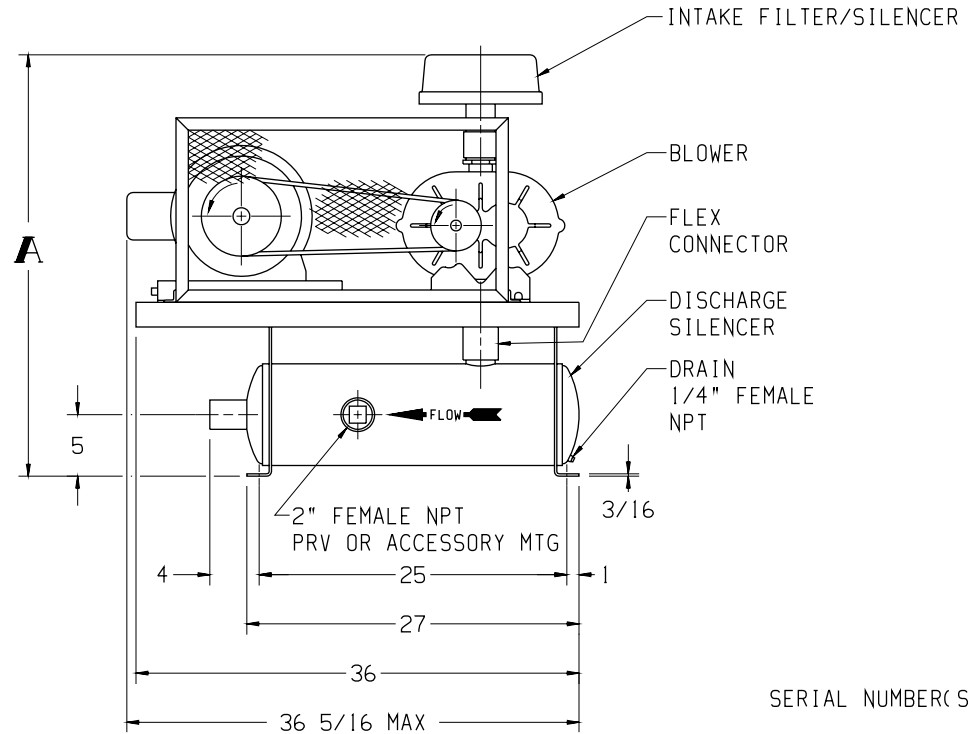
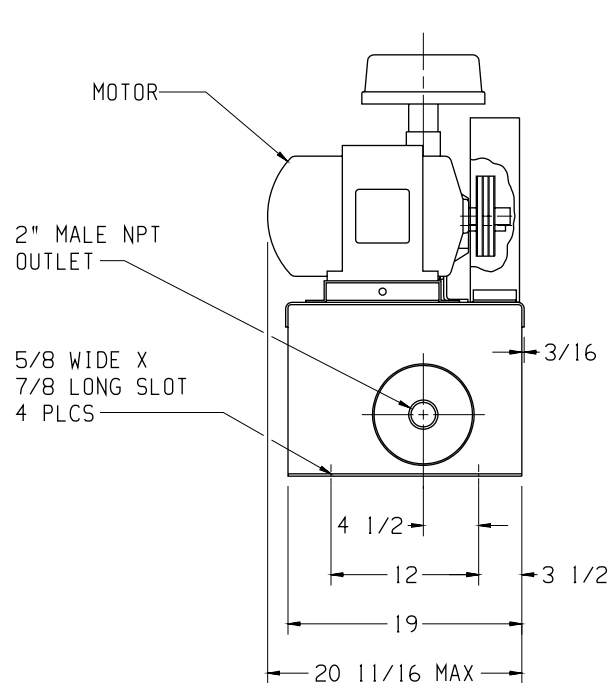


MOTOR W/SLIDE BASE		TYPE	
1800 RPM, 230/460 V, 3 PH, 60 HZ			
HP	FRAME		
2	145T		ODP
3	182T		TEFC
5	184T		PREMIUM EFF TEFC
7 1/2	213T	SEVERE DUTY TEFC	
10	215T	XPFC	

BLOWER	A
2002	34 9/16
2004	34 15/16
3002	34 9/16
3003	34 7/16
4002	34 1/4



SERIAL NUMBER(S) _____
 F.O. _____

APPROXIMATE WEIGHT	
BASE, SILENCER, FILTER, DRIVE, & GUARD	135 LBS
BLOWER	___ LBS
MOTOR & SLIDE BASE	___ LBS
TOTAL WEIGHT	___ LBS

Tuthill 800.825.6937

BASE MOUNTED OUTLINE PNEU-PAK-13-20-B

SIZE:	
C2	
DR	BD 2-25-02
CH	_____