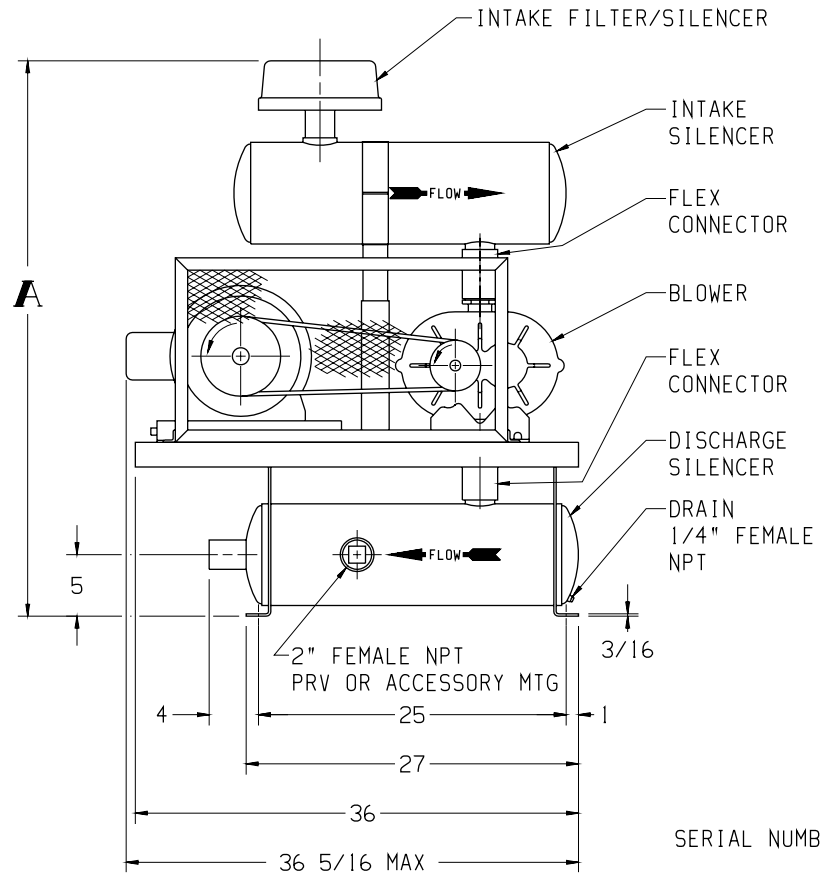
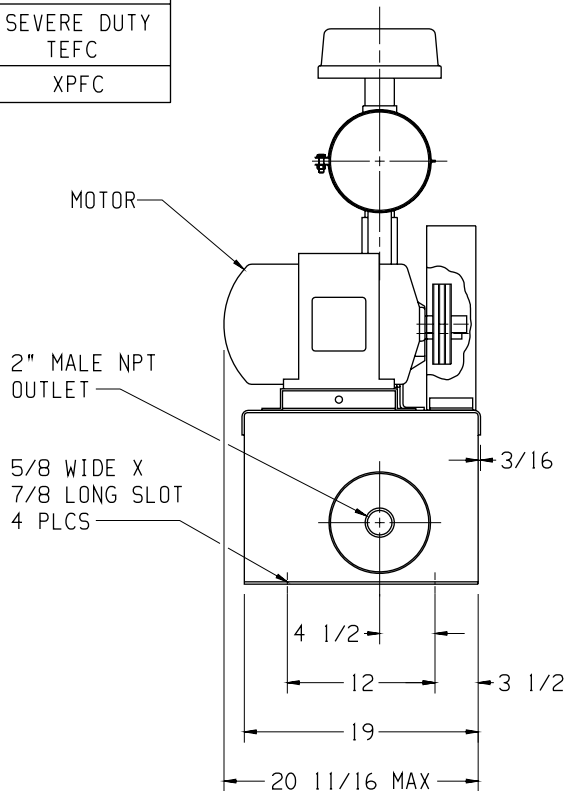


MOTOR W/SLIDE BASE
1800 RPM, 230/460 V, 3 PH, 60 HZ

HP	FRAME	TYPE
2	145T	ODP
3	182T	TEFC
5	184T	PREMIUM EFF TEFC
7 1/2	213T	SEVERE DUTY TEFC
10	215T	XPFC

BLOWER	A
2002	45 1/8
2004	45 1/8
3002	45 1/8
3003	45 1/8
4002	45 1/8



SERIAL NUMBER(S) _____

F.O. _____

APPROXIMATE WEIGHT

BASE, SILENCERS, FILTER,	165	LBS
DRIVE, & GUARD	___	LBS
BLOWER	___	LBS
MOTOR & SLIDE BASE	___	LBS
TOTAL WEIGHT	___	LBS

Tuthill 800.825.6937

BASE MOUNTED OUTLINE PNEU-PAK-13-20-A

SIZE:
C2

DR BD 2-25-02 CH _____