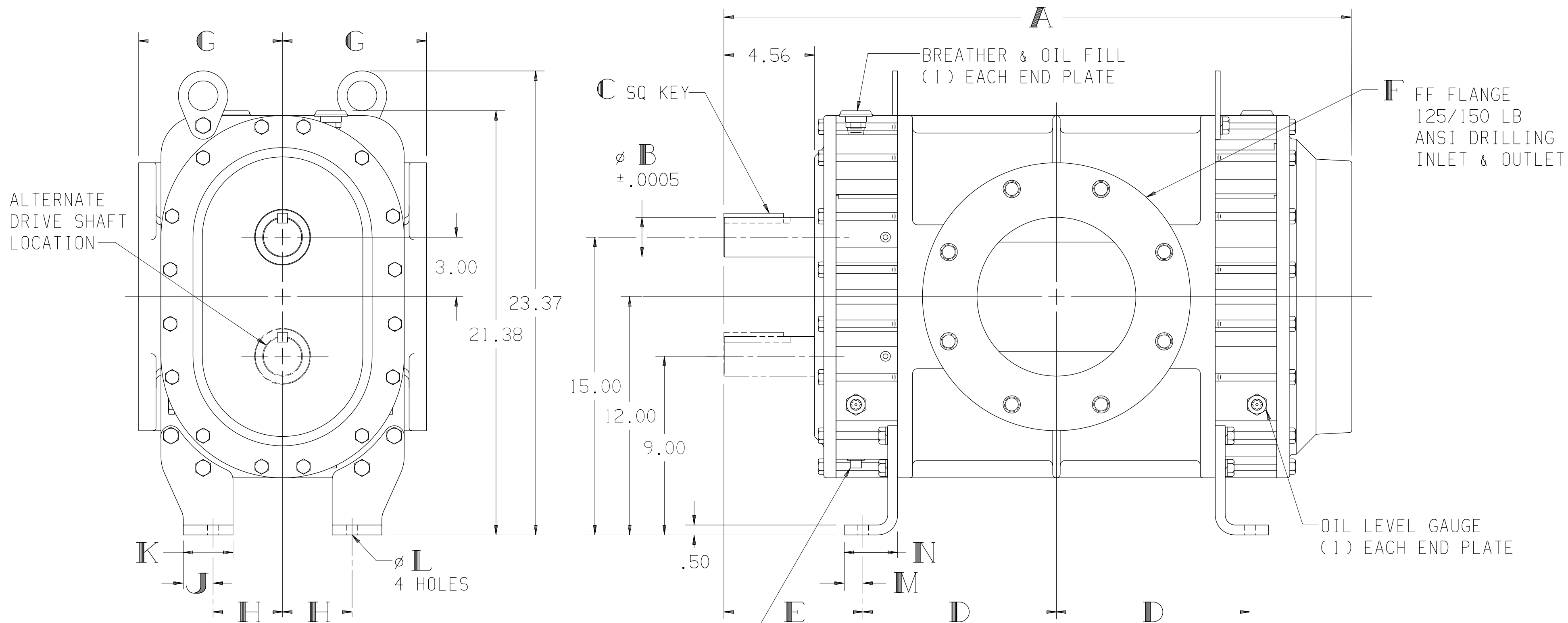
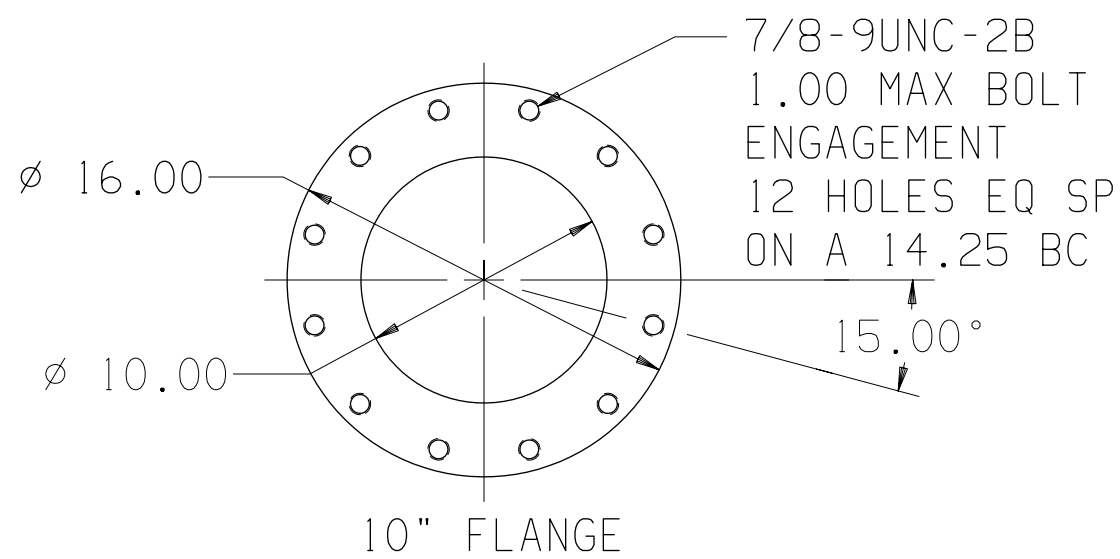
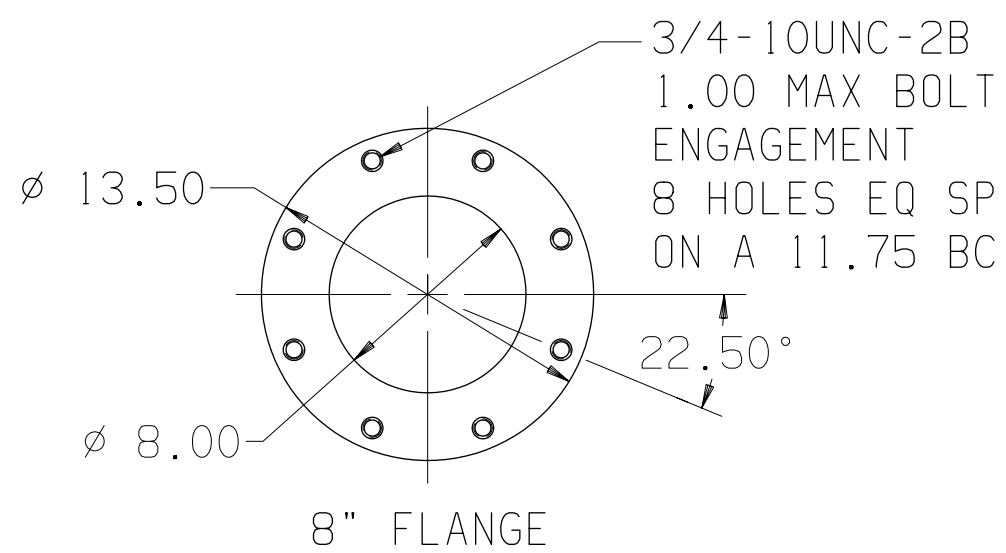


LTR	REVISION	DATE	DR	CH
A	TABULATED KEY LENGTH, 6016 & 6024 KEY WAS 3 3/4 LG (ECN 1742)	10-2-91	JS	BD
B	CHANGED MODEL NUMBER; ECN #2404	9-9-94	NF	LB
C	ADDED ALTERNATE DRIVE SHAFT LOCATION (ECN 5357)	2-5-09	BD	CM



NOTE:
REFER TO CURRENT MAINTENANCE MANUAL
FOR SERVICE INSTRUCTIONS OR FOR FIELD
CONVERSION TO VERTICAL FLOW.

MODEL	A	B	C	D	E	F	G	H	J	K	L	M	N	WEIGHT LBS
6012	27.63	1.5620	3/8 X 3.75	7.31	7.44	8	9.00	4.00	1.00	3.00	.75	.69	2.00	590
6016	31.63	1.9995	1/2 X 3.00	9.75	7.00	8	7.25	3.50	1.50	2.50	.56	.94	2.69	650
6024	39.63	1.9995	1/2 X 3.00	13.75	7.00	10	7.25	3.50	1.50	2.50	.56	.94	2.69	775

Tuthill 800.825.6937

ROTARY BLOWER OUTLINE
HORIZONTAL FLOW

SIZE: C2 6000-17

DR SY 3-18-91 CH A0 4-9-91