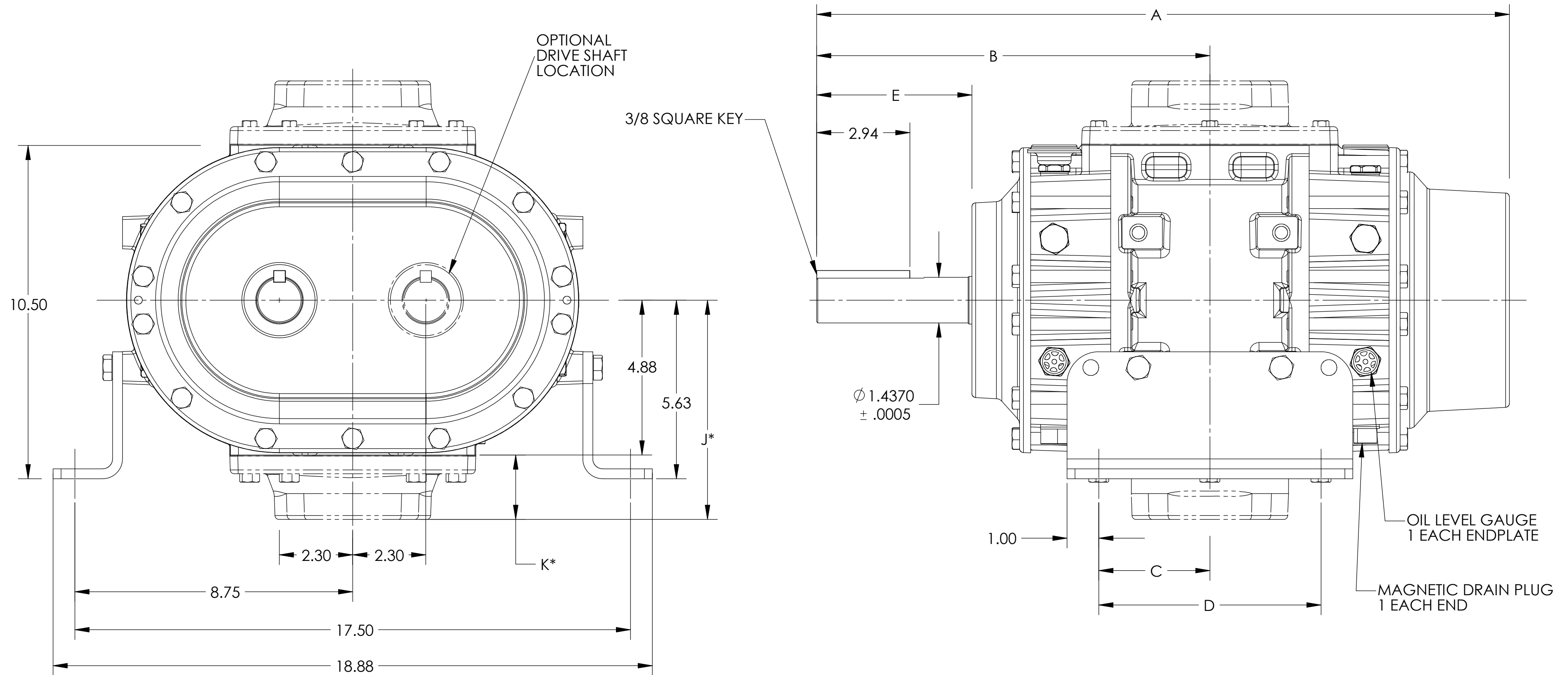


OPTIONAL PORT KITS									
4504					4506				
KIT PN	NPT	J	K	WT	KIT PN	NPT	J	K	WT
93337	4"	9.02	4.15	11	93338	4"	6.94	2.03	11
					93339	4"	10.94	6.03	19
4509					4512				
KIT PN	NPT	J	K	WT	KIT PN	NPT	J	K	WT
93340	4"	6.94	2.03	17	93343	6"	7.63	2.72	19
93341	5"	12.47	7.56	28	93344	6"	13.19	8.28	36
93342	5"	7.84	2.93	15					

*OPTIONAL PORT KITS INCLUDE ONE PORT AND MOUNTING HARDWARE. WITHIN A GIVEN MODEL NO., PORT KITS MAY BE MIXED AND MATCHED.

BLOWER MODELS						
MODEL NO.	A	B	C	D	E	WEIGHT
4504-46	18.45	10.02	2.50	5.00	3.52	270
4506-46	21.82	12.39	3.50	7.00	4.89	310
4509-46	24.80	13.87	3.50	7.00	4.89	350
4512-46	27.81	15.38	5.00	10.00	4.89	390



(LEFT DRIVE 4506 SHOWN)

Tuthill 800.825.6937
 TITLE: EQUALIZER DF OUTLINE
 SIZE C DWG. NO. 4500-46
 DN: SM DATE: 1-29-04 CK: LD DATE: 1-29-04 SCALE: 1:2.5