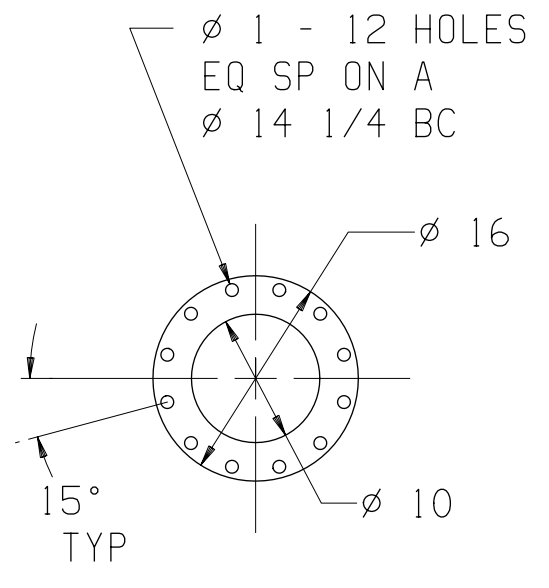
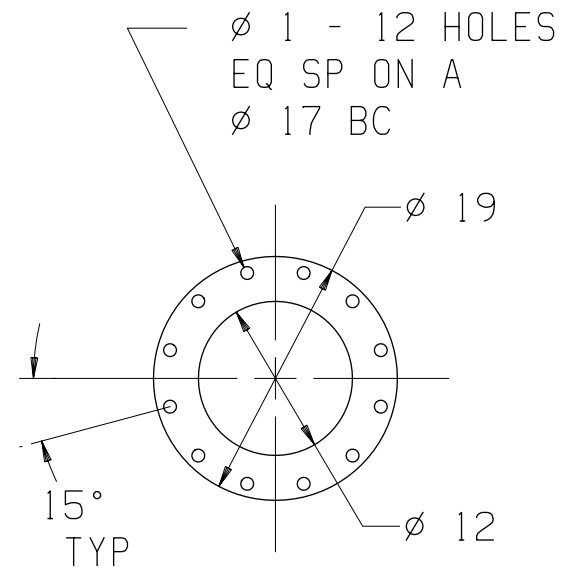


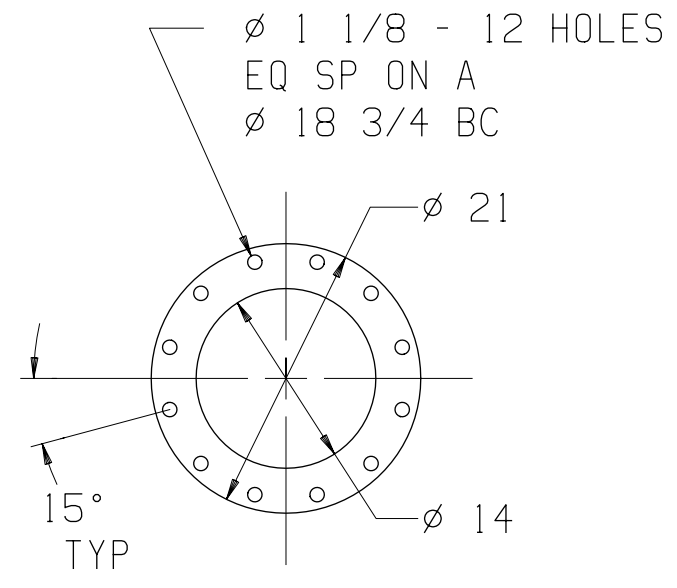
LTR	REVISION	DATE	DR	CH
F	REDRAWN PER LATEST STD'S (ECN 1643)	6-26-91	JS	LB
G	MODEL WAS 46/81 (ECN 6056-1)	3-9-12	CM	BD



10" FLANGE



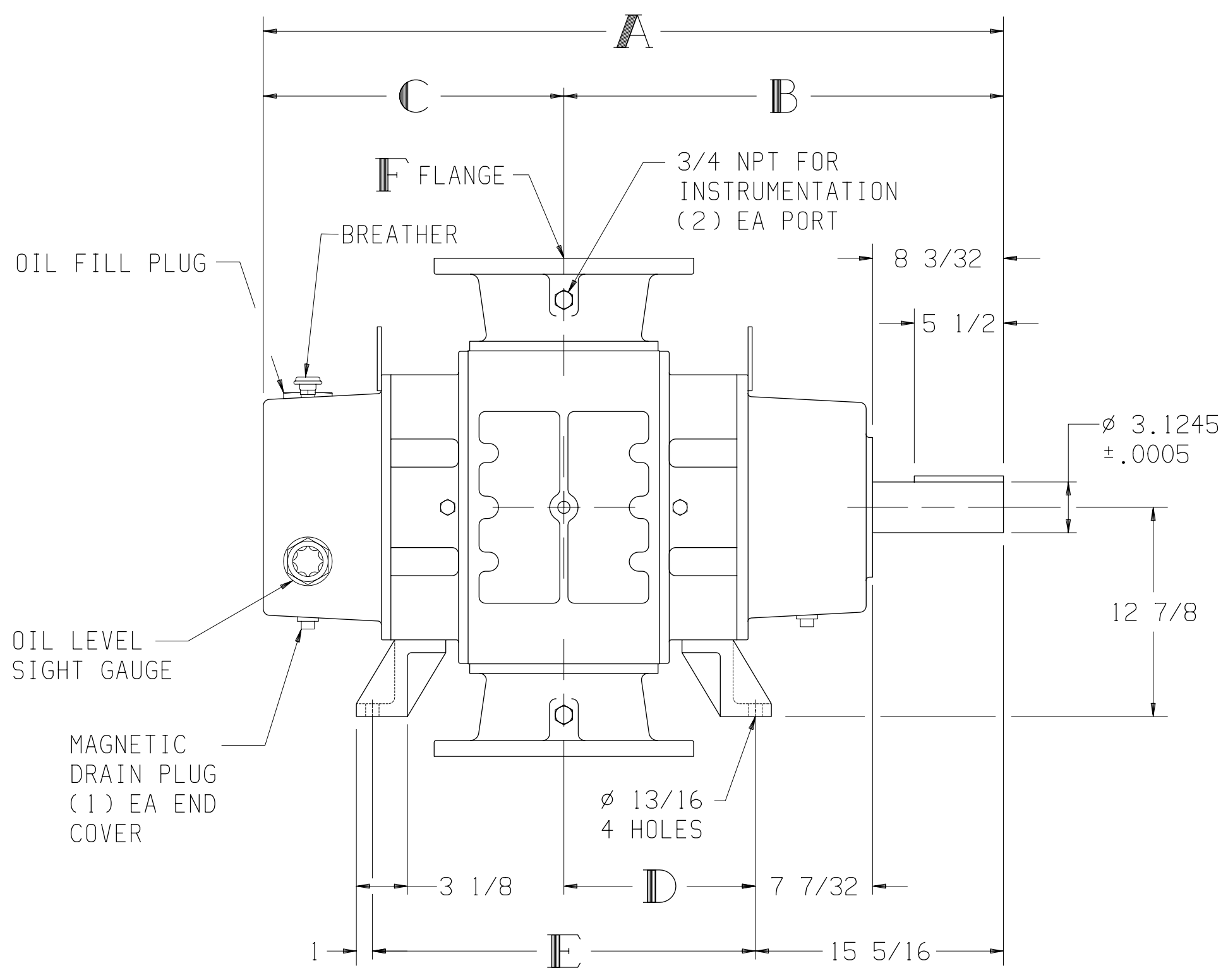
12" FLANGE



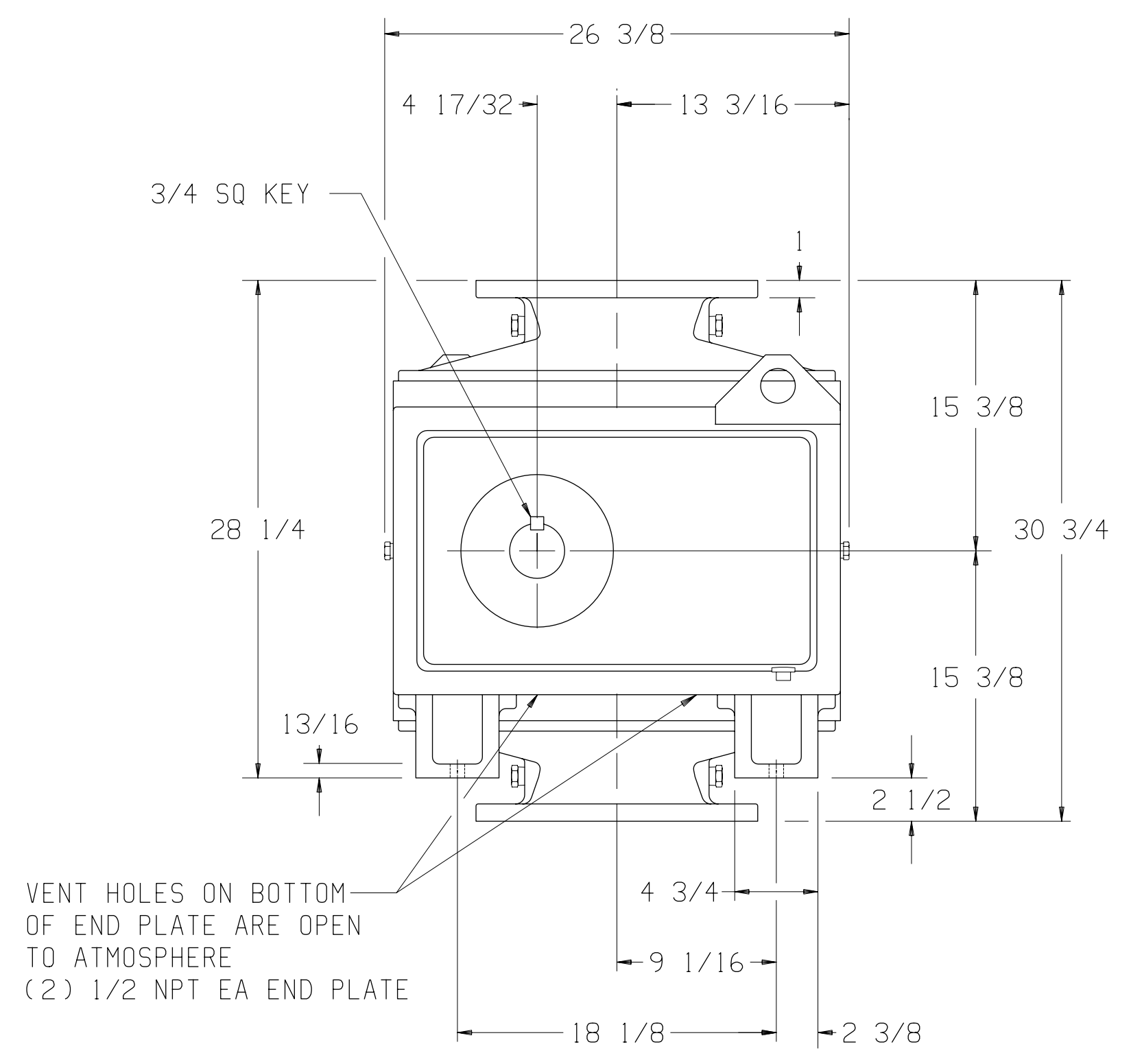
14" FLANGE

NOTE: ALL FLANGES 125/150 LB ANSI DRILLING

MODEL	A	B	C	D	E	F
9012	45 3/4	27 1/8	18 5/8	11 13/16	23 5/8	10
9016	49 11/16	29 3/32	20 19/32	13 25/32	27 9/16	12
9020	54 19/32	31 9/16	23 1/32	16 1/4	32 1/2	12
9027	61 1/2	35	26 1/2	19 11/16	39 3/8	14



9012 SHOWN



LEFT DRIVE SHOWN

REFER TO CURRENT MAINTENANCE MANUAL FOR SERVICE INSTRUCTIONS.

Tuthill 800.825.6937
 ROTARY BLOWER OUTLINE
 9000-46
 DR JS 6-26-91 CH LB 4-22-92
 SIZE: C4 SCALE: 1/8 WT LBS