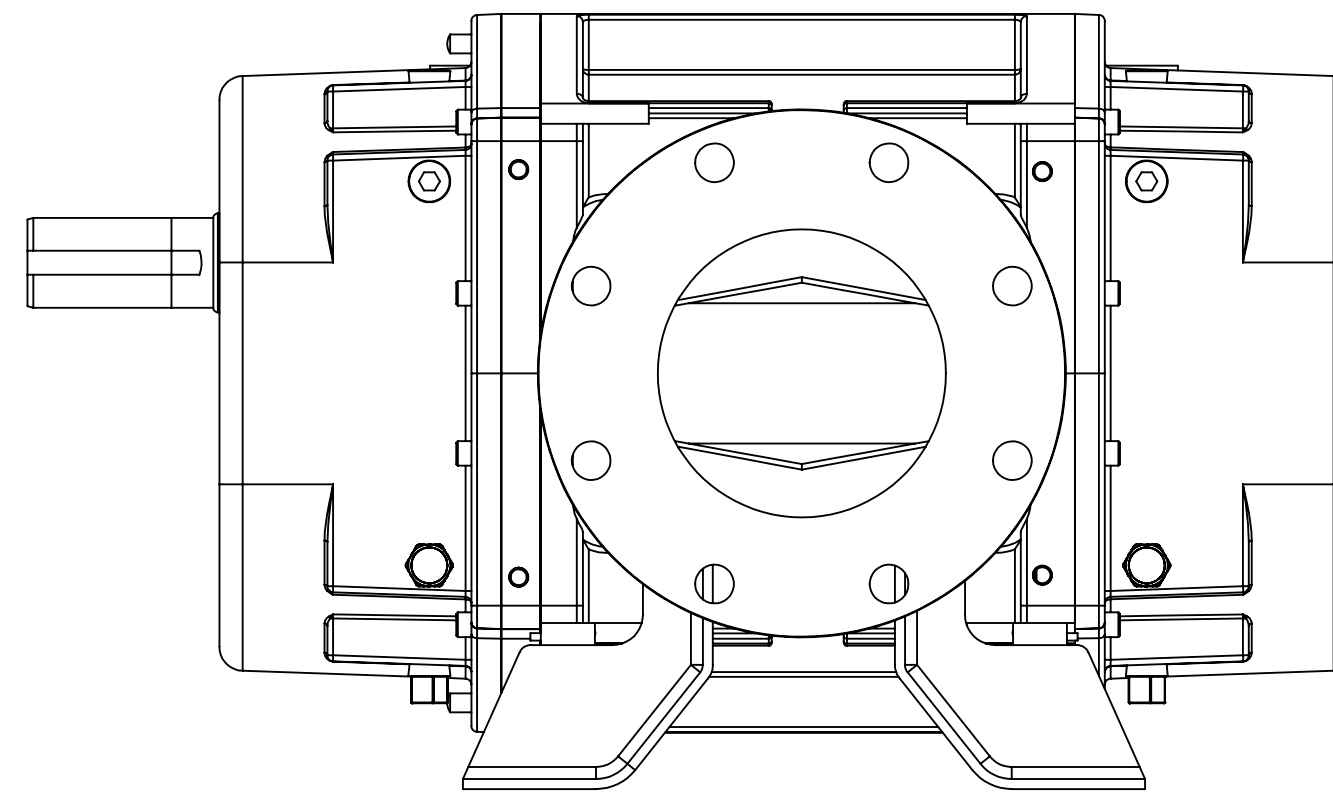
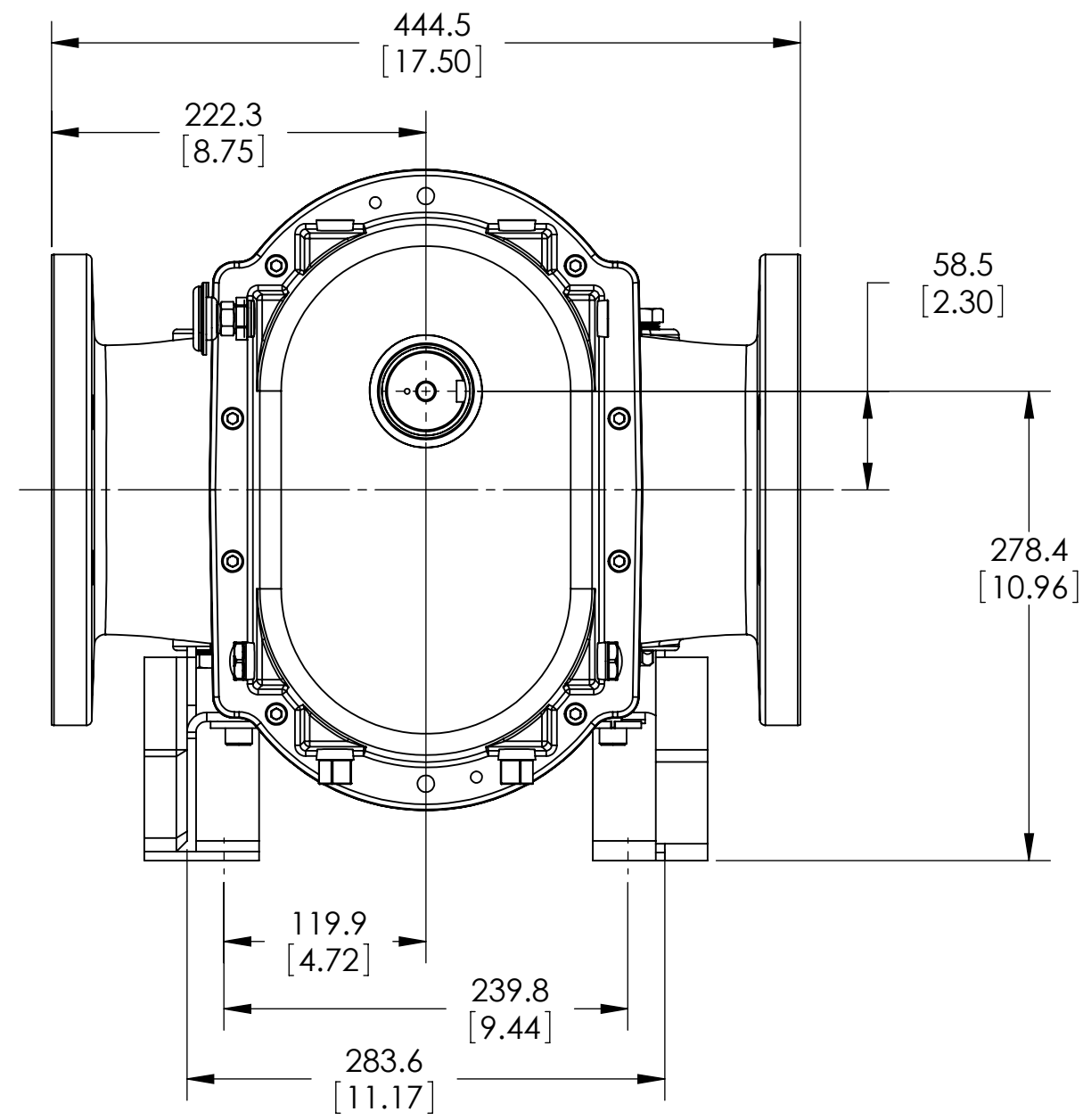


INFORMATION CONTAINED HEREIN IS CONFIDENTIAL AND IS THE PROPERTY OF THE TUTHILL CORPORATION. WHERE FURNISHED WITH A PROPOSAL THE RECIPIENT SHALL USE IT SOLELY TO EVALUATE THE PROPOSAL. WHERE FURNISHED TO A CUSTOMER IT SHALL BE USED SOLELY FOR THE PURPOSES OF INSPECTION, INSTALLATION OR MAINTENANCE. WHERE FURNISHED TO A SUPPLIER IT SHALL BE USED SOLELY IN THE PERFORMANCE OF WORK CONTRACTED FOR BY THE COMPANY. THE INFORMATION SHALL NOT BE USED OR DISCLOSED BY THE RECIPIENT FOR ANY OTHER PURPOSE WHATSOEVER.

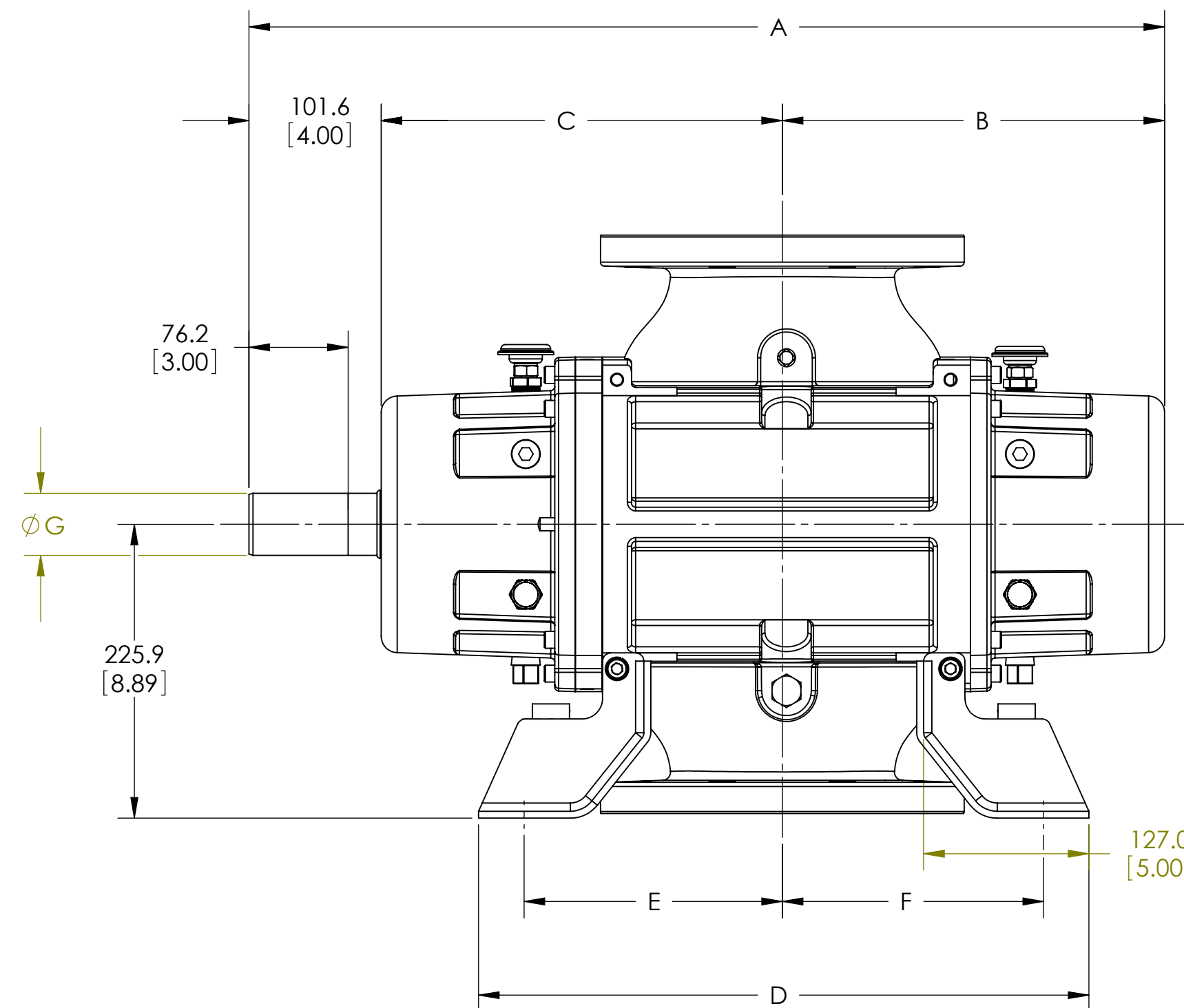
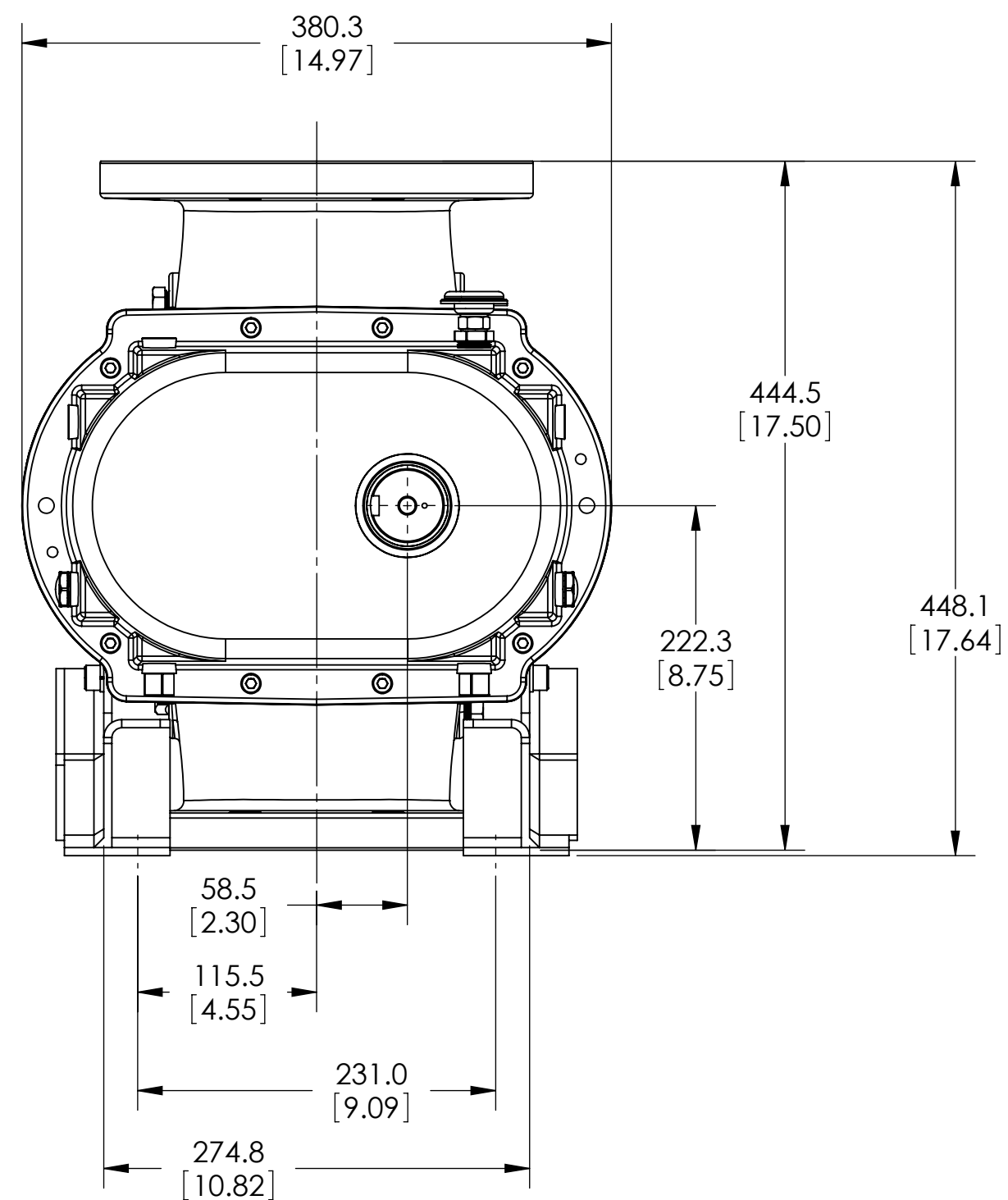
REV	ECN	DESCRIPTION	DATE	DR	CK
A	6099	ADDED HOLE DETAILS	5/17/2012	CRJ	cj

MODEL	A	B	C	D	E	F	G	KEYWAY	FLANGE	BOLT HOLE SIZE	NO.OF HOLES
4606	601.9[23.70]	242.9[9.56]	257.4[10.13]	367.3[14.46]	147.6[5.81]	149.9[5.90]	47.6[1.88]	12.70[.500] SQUARE	ANSI 4in, CLASS 150	19.1[0.75]	8
4606M	601.9[23.70]	242.9[9.56]	257.4[10.13]	367.3[14.46]	147.6[5.81]	149.9[5.90]	45.0[1.77]	14.00X9.00[.551X.355]	DIN 100mm, RATING 10	17.5[0.689]	8
4610	703.5[27.70]	293.7[11.56]	308.2[12.13]	468.9[18.46]	198.4[7.81]	200.7[7.90]	47.6[1.88]	12.70[.500] SQUARE	ANSI 6in, CLASS 150	20.5[0.807]	8
4610M	703.5[27.70]	293.7[11.56]	308.2[12.13]	468.9[18.46]	198.4[7.81]	200.7[7.90]	45.0[1.77]	14.00X9.00[.551X.355]	DIN 150mm, RATING 10	22.0[0.866]	8

**HORIZONTAL FLOW**



**VERTICAL FLOW**



METRIC [US CUSTOMARY]

TOLERANCES	
METRIC	U.S. CUSTOMARY
X = ±.5mm	XX = ±.01
.X = ±.25 mm	.XXX = ±.005
.XX = ±.15 mm	.XXXX = ±.0005
.XXX = ±.015 mm	
ANGULAR = ±1/2 DEG	CHAMFERS = ±2 DEG
BREAK ALL SHARP EDGES, CORNERS, DEBURR, AND CLEAN	

THIRD ANGLE PROJECTION	APPROVALS	DATE
	DRAWN EJK	8/4/05
	CHECKED -	-

APPLICATION	
NEXT ASSY	USED ON

**Tuthill** VACUUM & BLOWER SYSTEMS

TITLE  
**4600 BLOWER ASSEMBLY**

SIZE DWG NO. **D** **QX-4600 SERIES** REV **A**

SCALE 1:4 WEIGHT 446.35478455 LB SHEET 1 OF 1