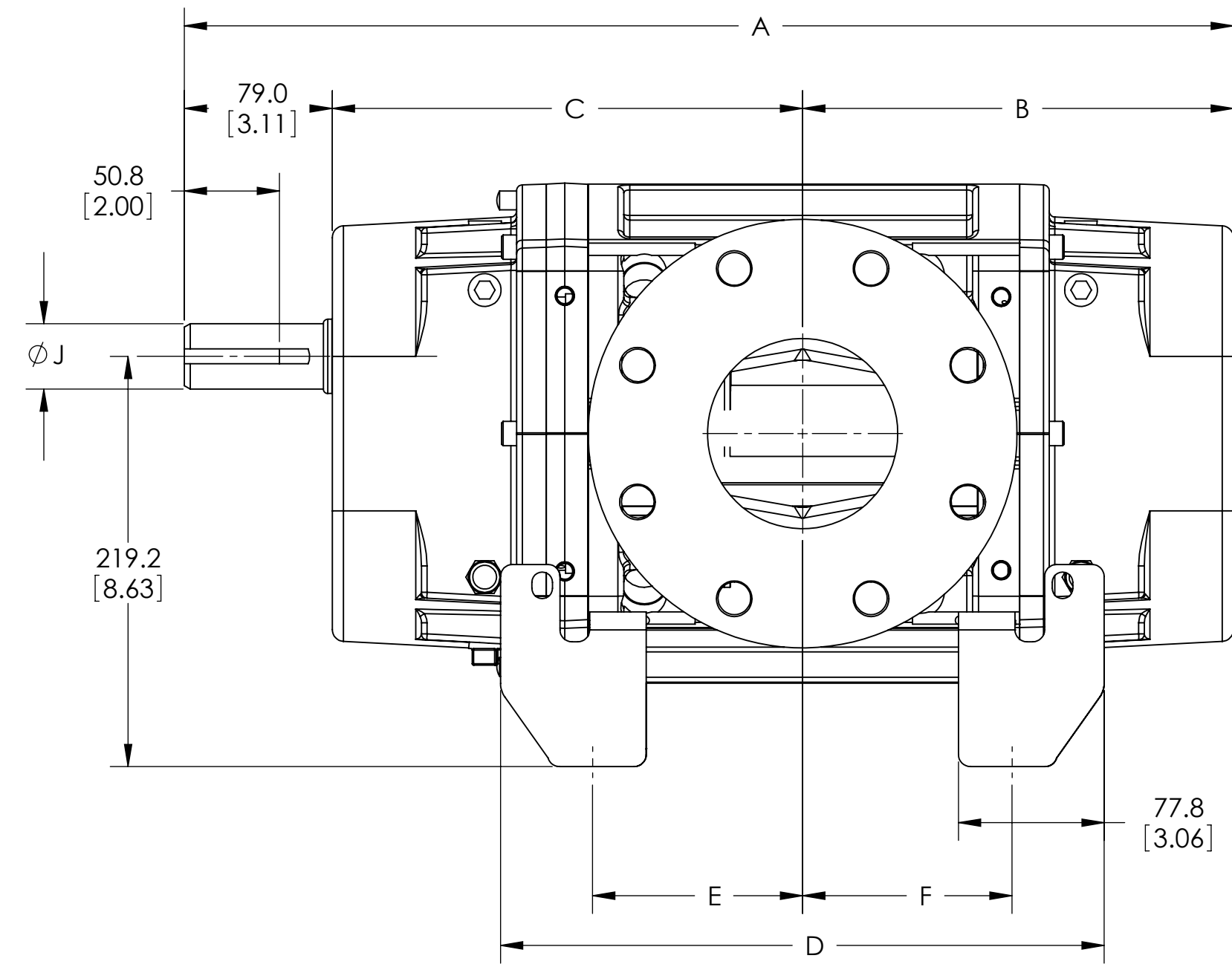
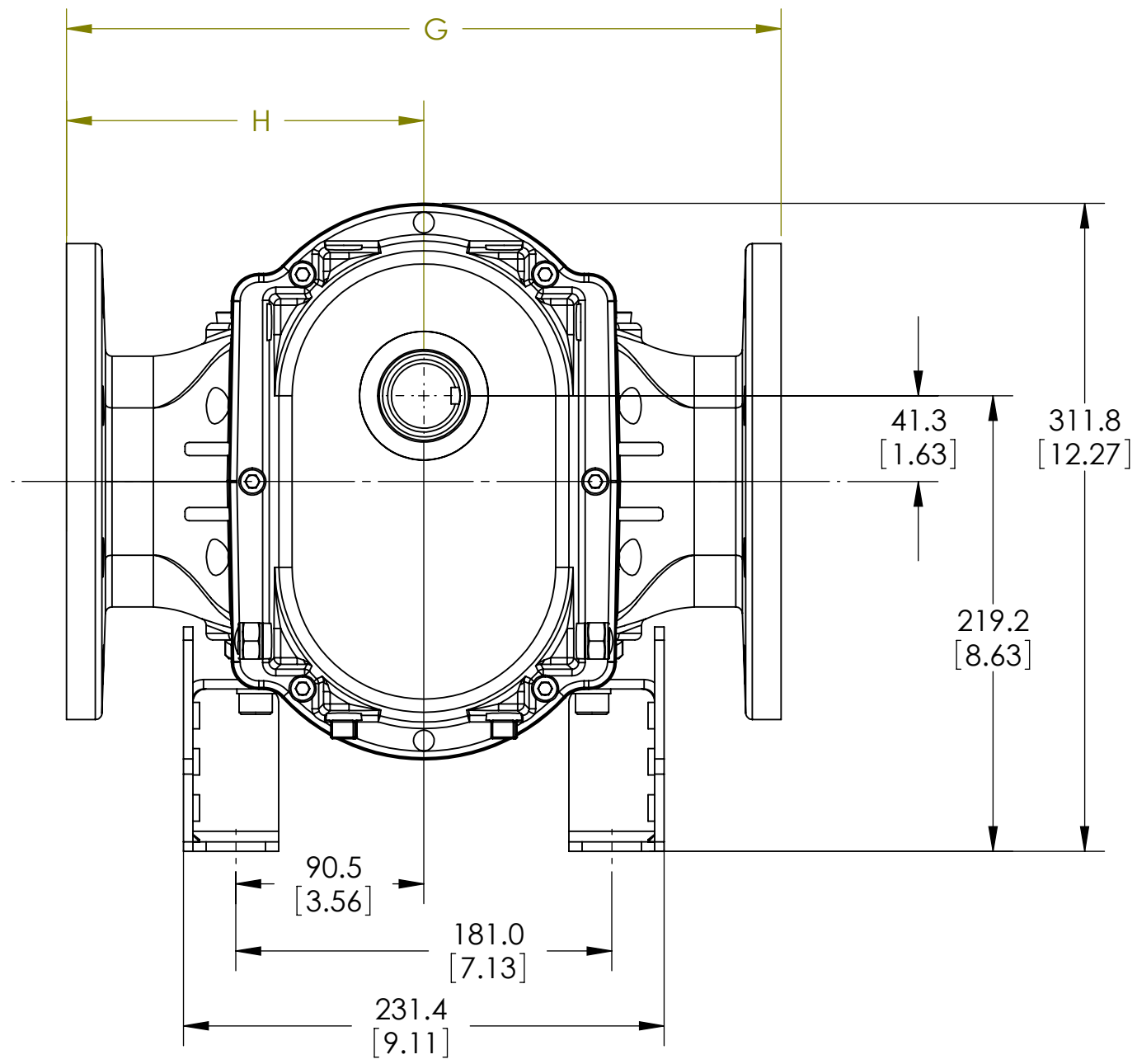


MODEL	A	B	C	D	E	F	G	H	J	K	L	M	N	KEYWAY	FLANGE
3203	435.0[17.12]	167.4[6.59]	188.5[7.42]	197.0[7.75]	49.5[1.95]	49.2[1.94]	293.2[11.54]	146.6[5.77]	34.9[1.38]	324.4[12.77]	196.4[7.73]	69.7[2.75]	69.4[2.73]	7.94[.313] SQUARE	ANSI 2in, CLASS 150
3203M	435.0[17.12]	167.4[6.59]	188.5[7.42]	197.0[7.75]	49.5[1.95]	49.2[1.94]	293.2[11.54]	146.6[5.77]	32.0[1.26]	324.4[12.77]	196.4[7.73]	69.7[2.75]	69.4[2.73]	10.00X8.00[.394X.315]	DIN 50mm, RATING 10
3205	484.2[19.06]	192.8[7.59]	212.4[8.36]	246.2[9.69]	73.3[2.89]	74.6[2.94]	293.2[11.54]	146.6[5.77]	34.9[1.38]	324.4[12.77]	245.7[9.67]	93.6[3.68]	94.8[3.73]	7.94[.313] SQUARE	ANSI 3in, CLASS 150
3205M	484.2[19.06]	192.8[7.59]	212.4[8.36]	246.2[9.69]	73.3[2.89]	74.6[2.94]	293.2[11.54]	146.6[5.77]	32.0[1.26]	324.4[12.77]	245.7[9.67]	93.6[3.68]	94.8[3.73]	10.00X8.00[.394X.315]	DIN 80mm, RATING 10
3208	560.4[22.06]	230.1[9.06]	251.2[9.89]	322.4[12.69]	112.2[4.42]	111.9[4.40]	344.0[13.54]	172.0[6.77]	34.9[1.38]	349.8[13.77]	321.9[12.67]	132.4[5.21]	132.1[5.20]	7.94[.313] SQUARE	ANSI 4in, CLASS 150
3208M	560.4[22.06]	230.1[9.06]	251.2[9.89]	322.4[12.69]	112.2[4.42]	111.9[4.40]	344.0[13.54]	172.0[6.77]	32.0[1.26]	349.8[13.77]	321.9[12.67]	132.4[5.21]	132.1[5.20]	10.00X8.00[.394X.315]	DIN 100mm, RATING 10
3213	682.6[26.87]	295.0[11.61]	308.6[12.15]	444.5[17.50]	169.6[6.68]	176.7[6.96]	344.0[13.54]	172.0[6.77]	34.9[1.38]	349.8[13.77]	444.1[17.48]	189.8[7.47]	197.0[7.76]	7.94[.313] SQUARE	ANSI 4in, CLASS 150
3213M	682.6[26.87]	295.0[11.61]	308.6[12.15]	444.5[17.50]	169.6[6.68]	176.7[6.96]	344.0[13.54]	172.0[6.77]	32.0[1.26]	349.8[13.77]	444.1[17.48]	189.8[7.47]	197.0[7.76]	10.00X8.00[.394X.315]	DIN 100mm, RATING 10

HORIZONTAL FLOW



VERTICAL FLOW

