

## Model KLRC-525, KLRC-526

Direct Driven

Belt Driven

### Features

- Impellers positively locked to shaft
- Reliable mechanical seals for high-integrity sealing and low shaft friction
- Center-anchored tie rods allow access to either end of the pump without total disassembly
- Precision casting and CNC machining eliminates the need for body gasketing (process dependent)
- Replaceable end plates
- Clearance adjustments via shims
- Made in the USA



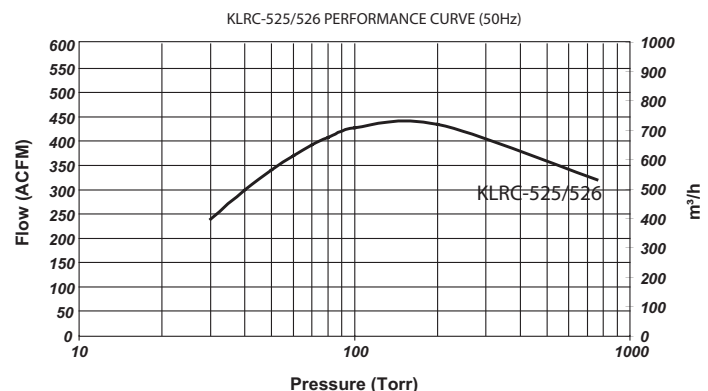
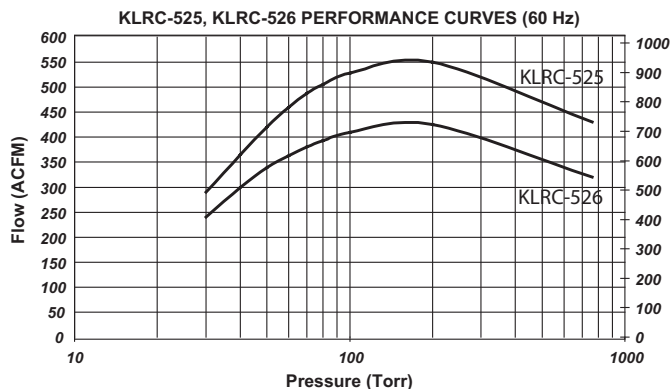
KLRC - 525/526 Material & Seal Code		
KLRC-200/300 XY	X	Material code
	Y	Mechanical seal code
Material Code (X)	F	Cast iron casings, SS316L impellers & SS316 shaft
	C	All wetted parts SS316L & SS316 shaft
Mechanical Seal Code (Y)	A	John Crane Type 21 Carbon/Ceramic/Viton
	D	Flowserve Type RO Carbon/Durchrome/Viton.
	L	PTFE encapsulated Viton O-Rings
Consult factory for alternate seal configurations		

Specifications	KLRC-525**		KLRC-526*	
	60 Hz	50 Hz	60 Hz	50 Hz
Motor Power	50 HP		40 HP	
Pump Speed	1750 RPM	1450 RPM	1450 RPM	1450 RPM
Seal Water Flow	18 GPM			
Noise Level	79 dBA @ 60 Torr (3 ft)			
Maximum Allowable Suction Temperature	220°F (Hot Pump)			

\* V-Belt drive

\*\* Direct Drive

## Typical Pumping Speed Curves



- 1.) Above performance data based on 68° F inlet air with 50% relative humidity and using water as a sealant at 60° F.
- 2.) All SS pump capacity less 10%

## Dimensions

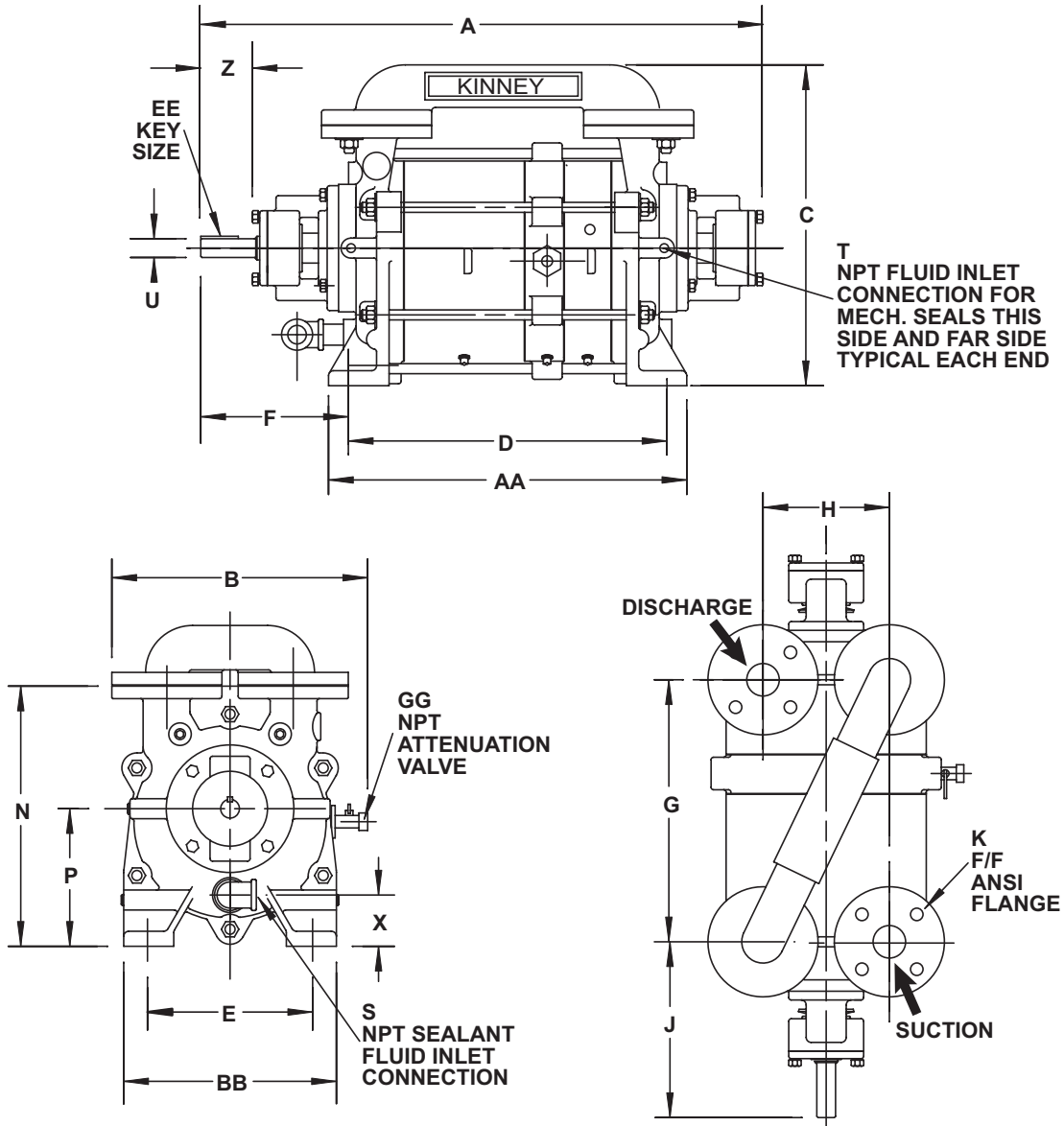
Values shown are approximate and should not be used for construction.

Certified drawings are available through your local Tuthill Vacuum & Blower Systems Sales Professional.

## Bare Shaft Pump

Models: **KLRC-525 & KLRC-526**

PUMP ROTATION CLOCKWISE  
FACING PUMP SHAFT

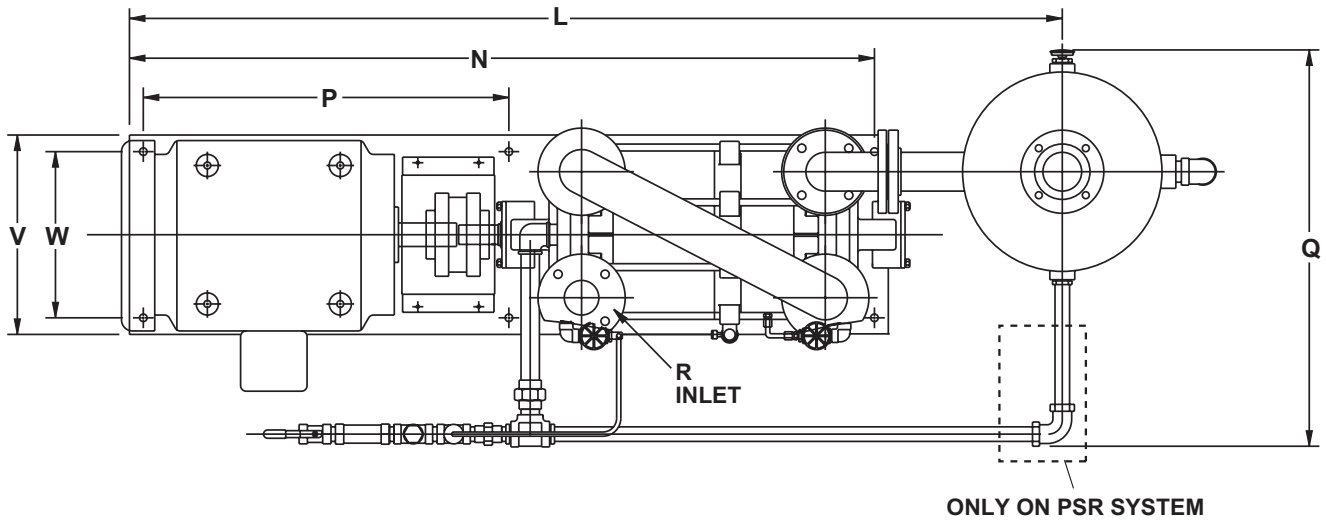
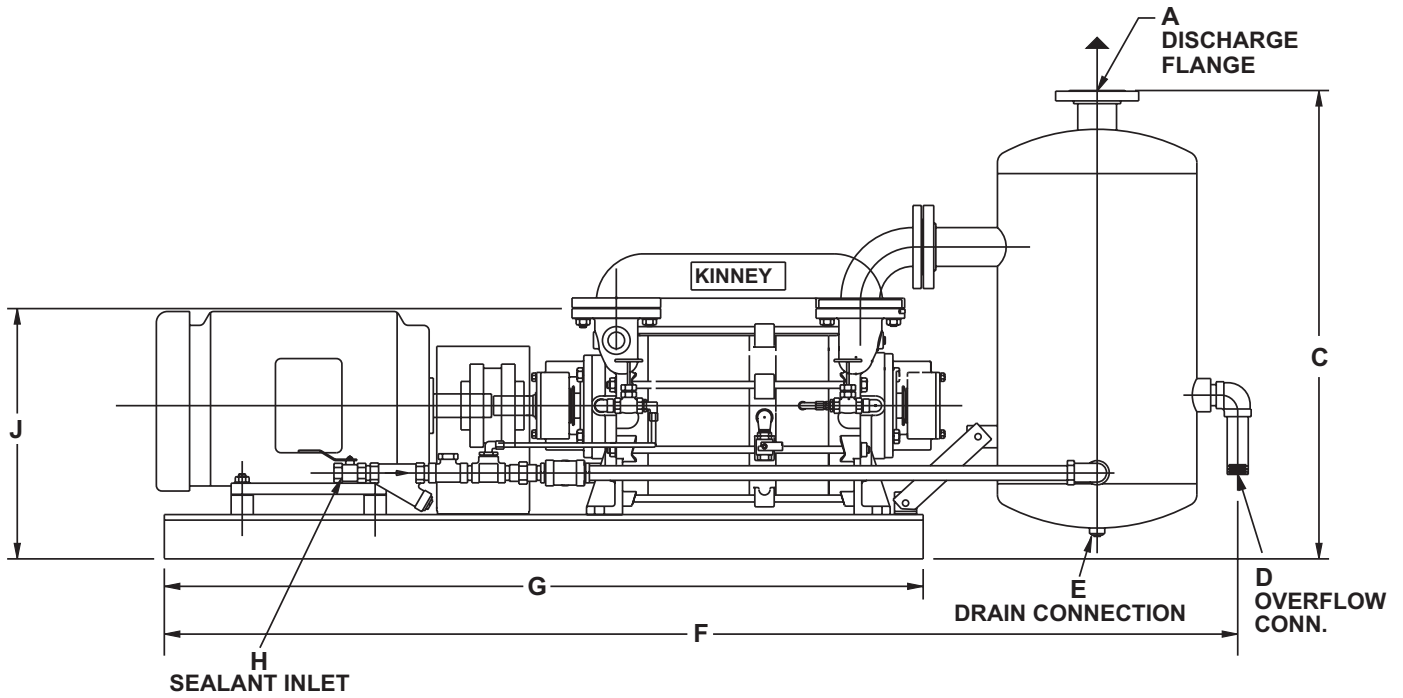


in mm	A	B	C	D	E	F	G	H	J	K	N
KLRC-525/526	41 1041	18 7/8 479	23 1/2 596	25 1/16 637	12 5/8 320	9 9/16 243	22 559	11 3/8 288	11 1/8 283	3"	18 9/16 472

in mm	P	S	T	U	X	Z	AA	BB	EE	GG	APPROX. WEIGHT LBS / kg
KLRC-525/526	9 13/16 249	1 1/4"	1/2 NPTF	1 3/4"	3 3/4 95	3 1/2 89	27 3/8 695	15 3/4 400	3/8 x 3/8	3/4"	800 / 363

# NSR (No Sealant Recovery) & PSR (Partial Sealant Recovery) System

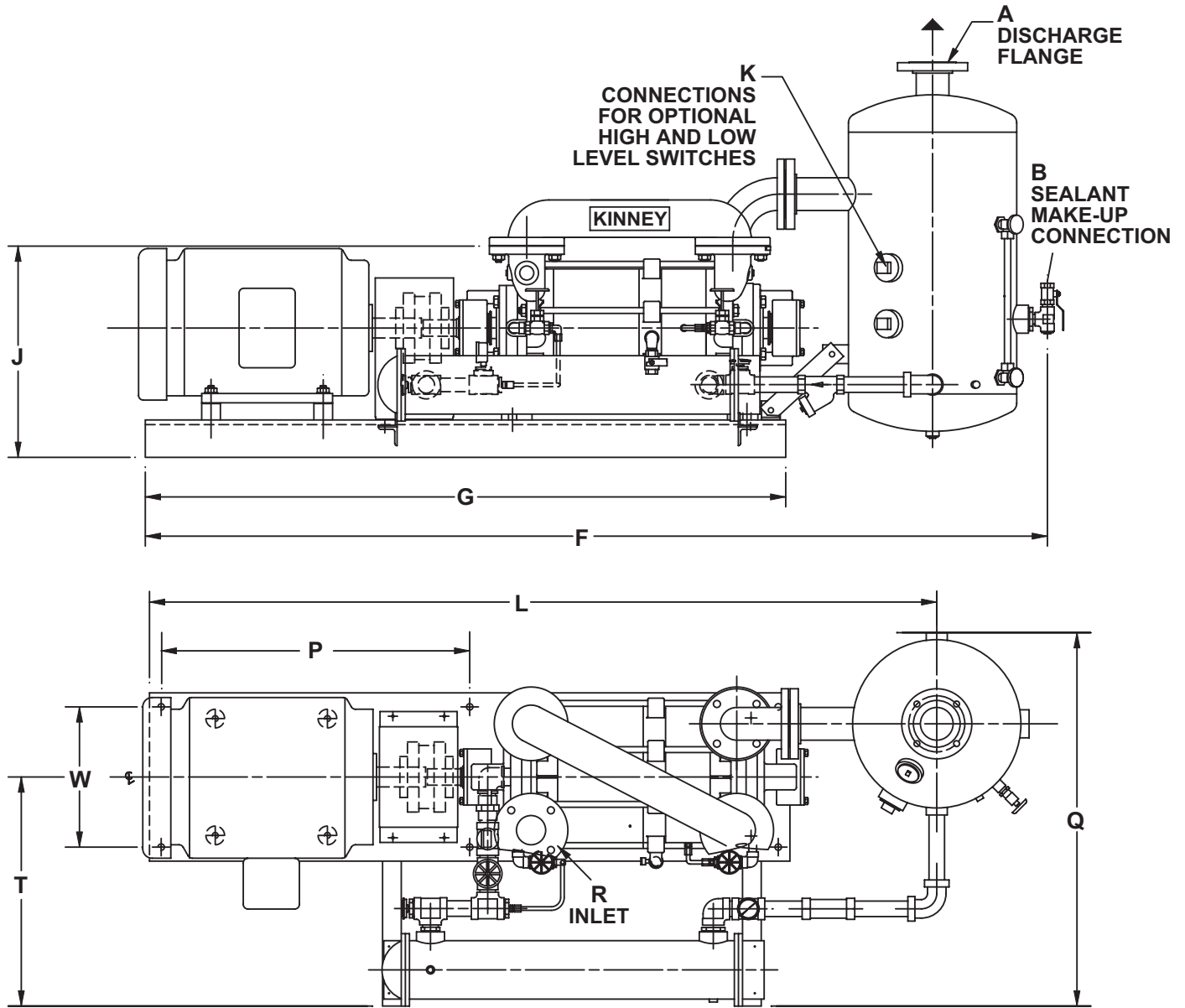
Models: KLRC-525 & KLRC-526



in mm	A	C	D	E	F	G	H	J	L	N	P	Q	R	V	W	APPROX. WEIGHT LBS / kg
KLRC-525	3" ANSI 150 LB FLANGE	42 1/4 1073	1 1/2" NPT	3/4" NPT	97 9/16 2478	68 1/2 1740	1" NPT	22 9/16 573	84 1/4 2140	66 1676	33 838	36 11/16 932	3" F/F FLANGE	18 457	15 381	1755 796

# FSR (Full Sealant Recovery) System

Models: KLRC-525 PLEASE CONSULT FACTOR FOR DRAWING OF KLRC-526



in mm	A	B	F	G	J	K	L	P	Q	R	T	W	APPROX. WEIGHT LBS / kg
KLRC-525	3" ANSI 150 LB FLANGE	3/4" NPT	96 7/8 2461	68 1/2 1740	22 9/16 573	(2) 2" NPT	84 3/16 2138	33 838	40 3/4 1035	3" F/F FLANGE	24 1/2 622	15 381	2400 1089

Your Local Tuthill Vacuum Blower Systems Sales Professional:



Tuthill Vacuum & Blower Systems  
 4840 West Kearney Street  
 Springfield, Missouri USA 65803-8702  
 o 417.865.8715 800.825.6937 f 417.865.2950  
 tuthillvacuumblower.com

