

## Model KLRC-200, KLRC-300

### Features

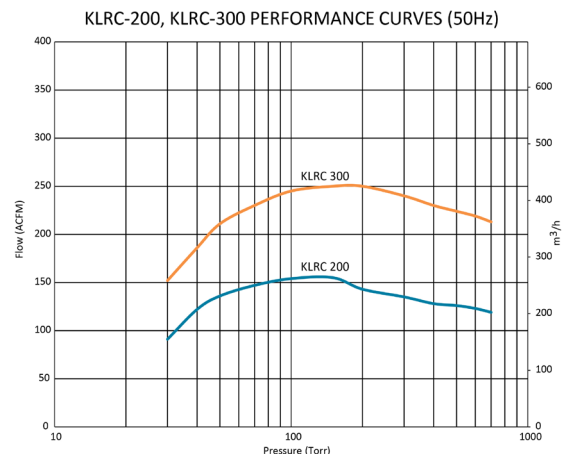
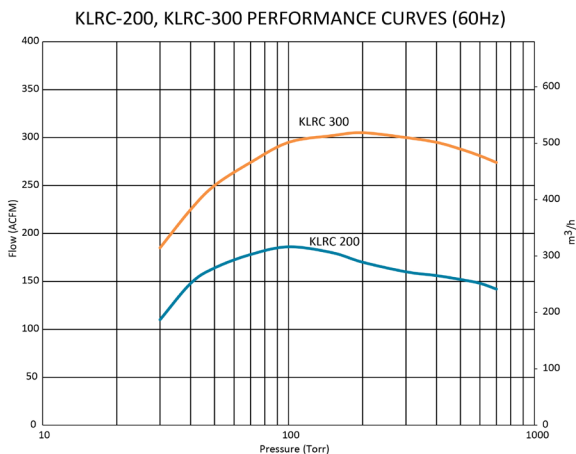
- Impellers positively locked to shaft
- Reliable mechanical seals for high-integrity sealing and low shaft friction
- Center-anchored tie rods allow access to either end of the pump without total disassembly
- Precision casting and CNC machining eliminates the need for body gasketing (process dependent)
- Replaceable end plates
- Clearance adjustments via shims
- Made in the USA



KLRC - 200/300 Material & Seal Code		
KLRC-200/300 XY	X	Material code
	Y	Mechanical seal code
Material Code (X)	F	Cast iron casings, SS316L impellers & SS316 shaft
	C	All wetted parts SS316L & SS316 shaft
Mechanical Seal Code (Y)	A	John Crane Type 21 Carbon/Ceramic/Viton
	D	Flowserve Type RO Carbon/Durchrome/Viton.
	L	PTFE encapsulated Viton O-Rings
Consult factory for alternate seal configurations		

Specifications	KLRC-200		KLRC-300	
	60 Hz	50 Hz	60 Hz	50 Hz
Motor Power	15 HP	11 KW	25 HP	18.5 KW
Pump Speed	1750 RPM	1450 RPM	1750 RPM	1450 RPM
Seal Water Flow	8 GPM		12 GPM	
Noise Level	74 dBA @ 60 Torr (3 ft)			
Maximum Allowable Suction Temperature	220°F (Hot Pump)			

## Typical Pumping Speed Curves



- 1.) Above performance data based on 68° F inlet air with 50% relative humidity and using water as a sealant at 60° F.
- 2.) All SS pump capacity less 10%

## Dimensions

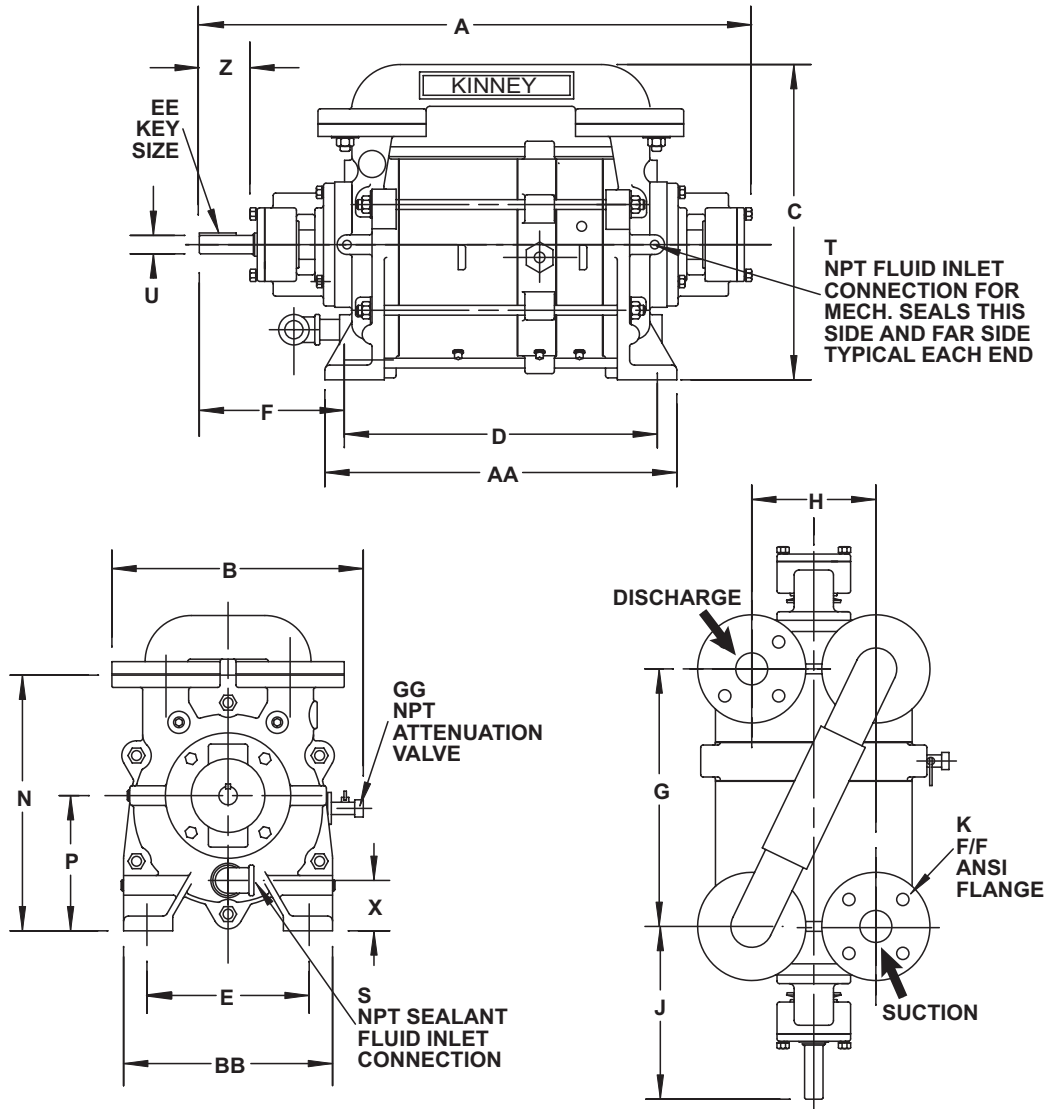
Values shown are approximate and should not be used for construction.

Certified drawings are available through your local Tuthill Vacuum & Blower Systems Sales Professional.

## Bare Shaft Pump

Models: **KLRC-200 & KLRC-300**

PUMP ROTATION CLOCKWISE  
FACING PUMP SHAFT

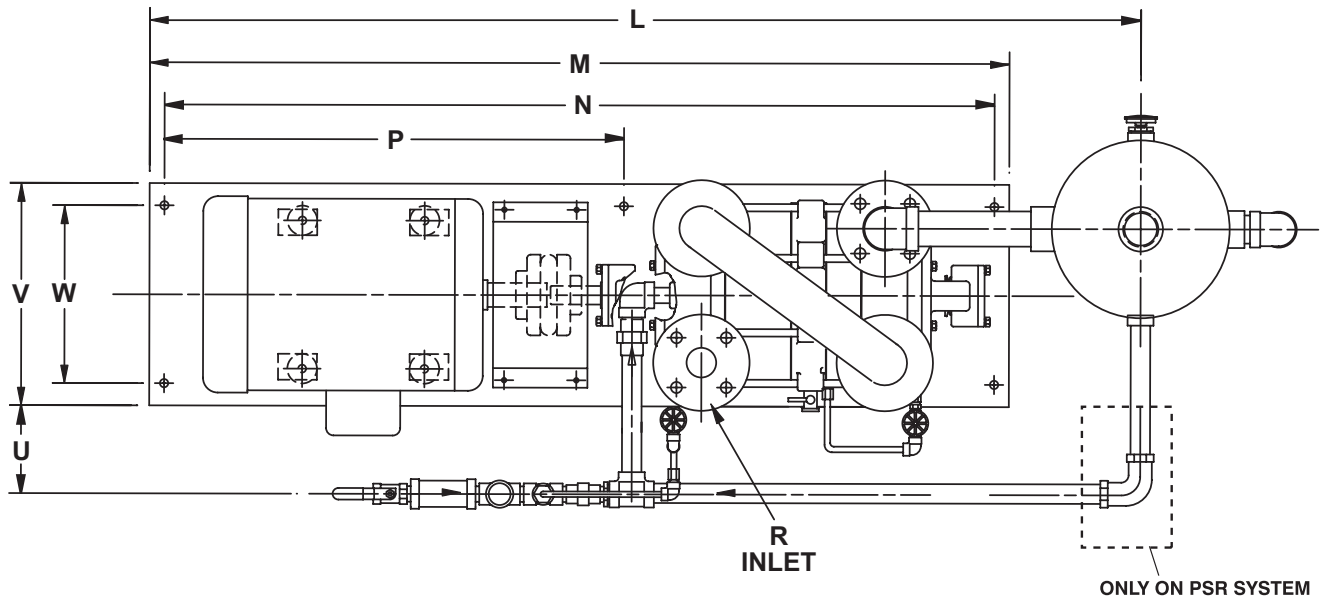
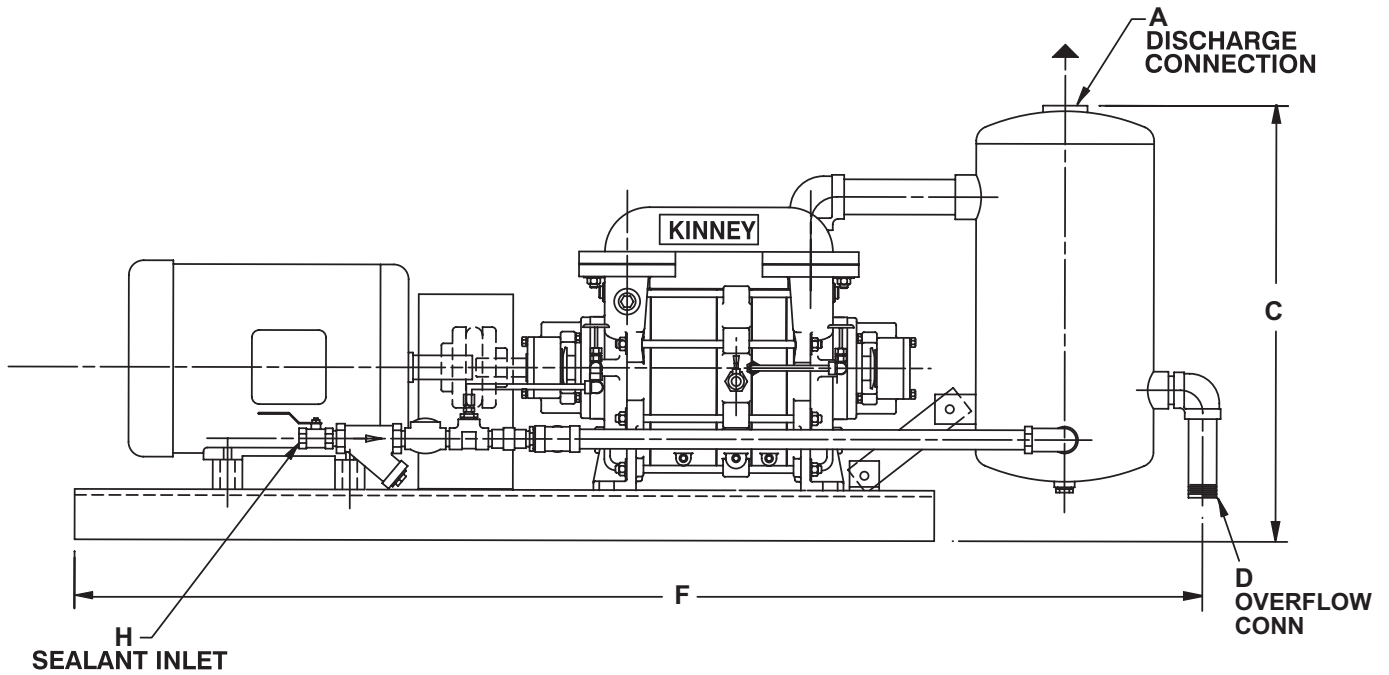


in mm	A	B	C	D	E	F	G	H	J	K	N
KLRC-200	29 11/16 754	16 7/8 428	19 1/8 486	15 381	9 1/4 235	8 13/16 224	12 3/8 314	9 1/16 230	10 3/16 259	2" ANSI	15 1/4 387
KLRC-300	33 9/16 853	16 7/8 428	19 1/8 486	19 483	9 1/4 235	8 13/16 224	16 5/16 414	9 1/16 230	10 3/16 259	2" ANSI	15 1/4 387

in mm	P	S	T	U	X	Z	AA	BB	EE	GG	APPROX WEIGHT LBS / kg
KLRC-200	8 1/4 210	1" NPT	1/4" NPT	1 1/4"	3 3/8" 86	3 76	16 15/16 430	11 3/4 299	1/4 x 1/4	1/4" NPT	360 / 163
KLRC-300	8 1/4 210	1" NPT	1/4" NPT	1 1/4"	3 3/8" 86	3 76	20 7/8 530	11 3/4 299		1/2" NPT	405 / 184

# NSR (No Sealant Recovery) & PSR (Partial Sealant Recovery) System

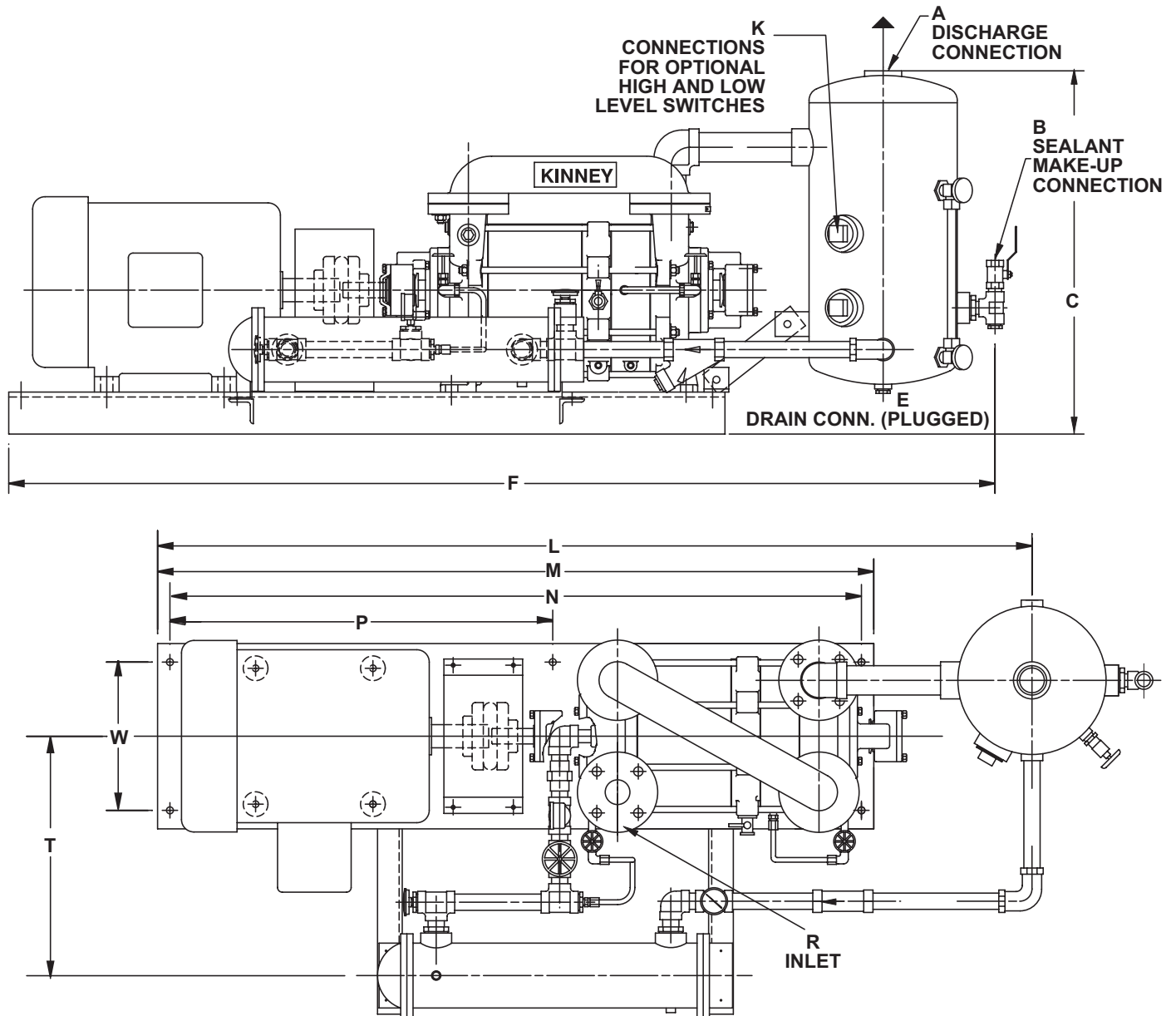
Models: KLRC-200 & KLRC-300



in mm	A	C	D	F	H	L	M	N	P	R	U	V	W	APPROX. WEIGHT LBS / kg
KLRC-200	2" NPT	29 3/8 746	1 1/2" NPT	76 7/16 1942	3/4" NPT	66 7/8 1699	58 1473	56 1422	31 787	2" F/F Flange	6 13/16 173	15 381	12 305	840 381
KLRC-300	2" NPT	29 3/8 746	1 1/2" NPT	81 2057	3/4" NPT	70 13/16 1799	58 1473	56 1422	31 787	2" F/F Flange	7 5/16 186	15 381	12 305	920 417

# FSR (Full Sealant Recovery) System

Models: KLRC-200 & KLRC-300



in mm	A	B	C	E	F	K	L	M	N	P	R	T	W	APPROX. WEIGHT LBS / kg
KLRC-200	2" NPT	3/4" NPT	29 3/8 746	3/4" NPT	76 1930	(2) 2" NPT	66 7/8 1698	58 1473	56 1422	31 787	2" F/F FLANGE	18 1/8 460	12 305	1220 553
KLRC-300	2" NPT	3/4" NPT	29 3/8 746	3/4" NPT	80 2032	(2) 2" NPT	70 13/16 1799	58 1473	56 1422	31 787	2" F/F FLANGE	19 5/8 498	12 305	1252 568

Your Local Tuthill Vacuum Blower Systems Sales Professional:



Tuthill Vacuum & Blower Systems  
 4840 West Kearney Street  
 Springfield, Missouri USA 65803-8702  
 o 417.865.8715 800.825.6937 f 417.865.2950  
 tuthillvacuumblower.com

