

KINNEY® KDP™

Screw-Type Dry Vacuum Pumps

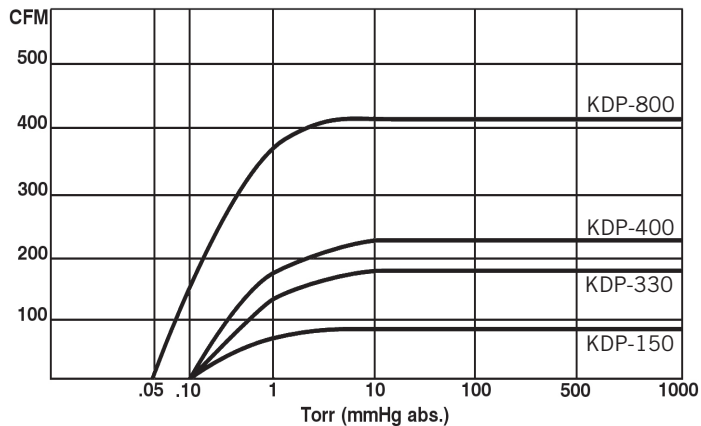
Models: KDP-150 KDP-330 KDP-400 KDP-800

Features

- No oil or water in contact with process
- No contact between operating components in the casing
- Simple, robust design can handle process by-products – liquids, condensate, and even small particles
- Full pumping speed from atmospheric pressure down to 1 Torr; ultimate pressure 0.1 Torr (.05 Torr on Model KDP-800)
- Short gas path through the pump for quick discharge
- Extended shaft for either V-belt or direct drive
- Quiet operation – less than 85 dB(A)



Performance Curves



Materials of Construction

CASING: Ductile iron, PFA Coated
ROTORS: Ductile iron, PFA Coated
TIMING GEARS: Alloy steel, precision ground, helical type

SHAFT SEALS:

Drive End: Mechanical seal & lip seal

Drive Shaft: Mechanical seal

O-RINGS: Kalrez® compound 6375

OPTIONS: Viton® A-1009 O-rings

Kalrez® and Viton® are registered trademarks of E. I. duPont de Nemours and Company.

Hastelloy® is a registered trademark of Haynes International, Inc.

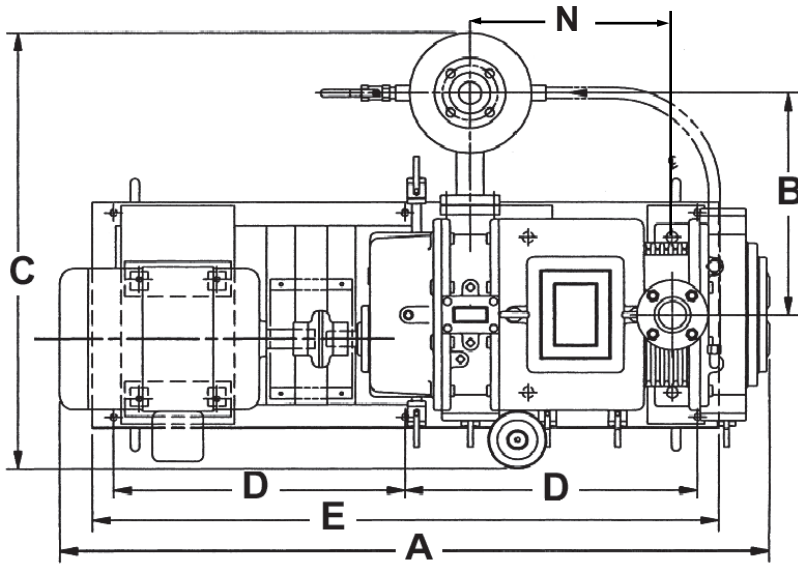
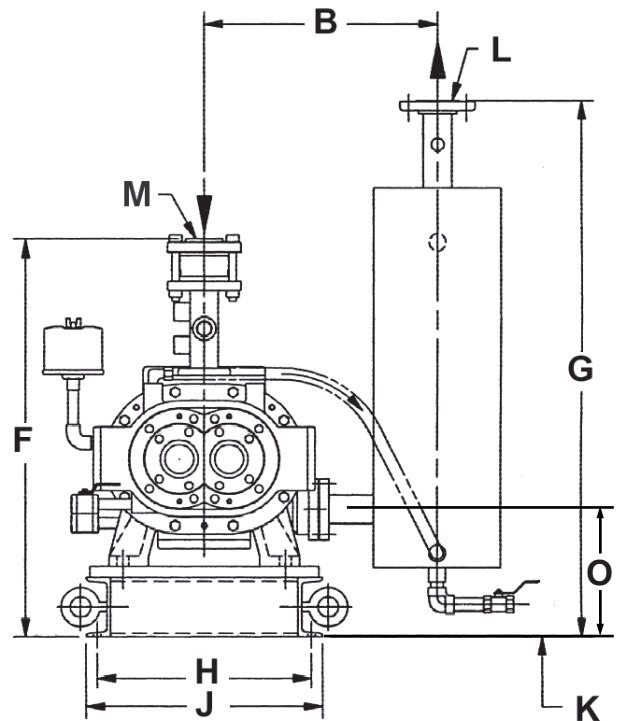
Specifications

MODEL		KDP-150	KDP-330	KDP-400	KDP-800
Capacity (60 Hz, Direct Drive)	CFM / m ³ /h	88 / 150	194 / 330	235 / 400	459 / 780
	(50 Hz, Direct Drive)	71 / 120	159 / 270	194 / 330	388 / 660
Ultimate Pressure (60 Hz, Direct Drive)	Torr / mbar	0.1 / 0.13	0.1 / 0.13	0.1 / 0.13	0.05 / 0.067
Rotation Speed (Direct Drive)	60 Hz / 50 Hz	3500 / 2900	3500 / 2900	3500 / 2900	3500 / 2900
Motor	HP	7.5	15	20	30
Suction Flange (ANSI, 150# FF)	in. / mm	1.5 / 40	2 / 50	2.5 / 65	4 / 100
Discharge / Silencer Flange (ANSI, 150# FF)	in. / mm	1.5 / 40	1.5 / 40	2 / 50	2.5 / 65
Cooling Water	GPM / L/min	0.5 / 2.0	0.9 / 3.5	1.8 / 7	2.6 / 10
Noise Level	dB(A)	84	84	84	84
Gear Case Oil Capacity	Quarts / Liters	1.4 / 1.3	1.7 / 1.6	2.1 / 2.0	3.8 / 3.6
Weight (bare shaft pump)	lbs. / kg	485 / 220	700 / 320	890 / 403	1325 / 600

Dimensions

Values shown are approximate and should not be used for construction.

Certified drawings are available through your local Tuthill Vacuum & Blower Systems Sales Professional.



in. mm	A	B	C	D	E	F	G	H	J	K	L	M	N	O
KDP-150	49.88 1267	14.13 359	30.88 784	20.50 521	44.00 1118	26.88 682	36.13 918	14.50 368	16.00 406	2.19 60	1½" ANSI	1½" ANSI	14.13 359	8.75 222
KDP-330	59.88 1292	16.63 422	32.75 832	25.00 635	54.00 1372	29.00 737	36.38 924	16.50 419	18.00 457	2.38 60	2" ANSI	1½" ANSI	17.44 443	8.88 226
KDP-400	62.00 1575	17.25 438	34.75 883	25.00 635	56.00 1422	30.75 781	41.13 1045	18.50 470	20.00 508	3.25 63	2½" ANSI	2" ANSI	9.63 245	9. 359
KDP-800	70.13 1781	20.50 521	40.63 1032	27.75 705	61.50 1562	34.56 243	44.44 1129	20.50 521	22.00 559	3.38 86	4" ANSI	2½" ANSI	10.25 260	14.13 359

Your Local Tuthill Vacuum & Blower Systems Sales Professional:



Tuthill Vacuum & Blower Systems
 4840 West Kearney Street
 Springfield, Missouri USA 65803-8702
 o 417.865.8715 800.825.6937 f 417.865.2950
 tuthillvacuumblower.com

