

KINNEY®

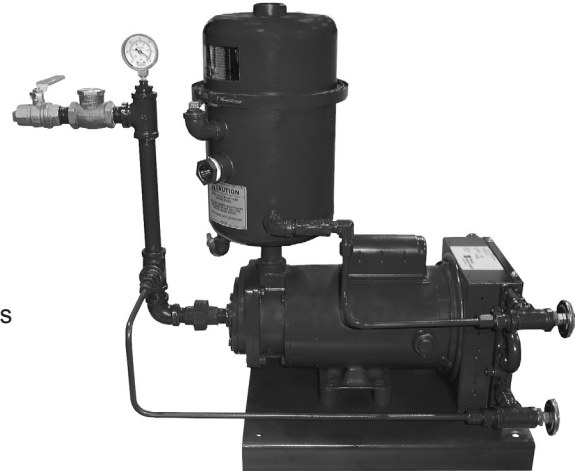
AF OSR SYSTEM

Oil-Sealed, Air-Cooled, Liquid Ring Vacuum Pumping Packages

Models: OSR-5 OSR-10 OSR-15 OSR-20

Features

- Fluid-Vac “abuser-friendly” axial flow design
- Totally self contained package. No external sealant or cooling liquid is required.
- Close coupled compact design. No couplings to align or coupling guards to maintain.
- Robust industrial pump and motor provides years of trouble-free operation.
- High efficiency separator minimizes oil carryover.
- Fully instrumented system includes temperature gauges and inlet vacuum gauge.
- Quiet, vibration-free operation
- Inlet check valve prevents backflow when system is taken off line.

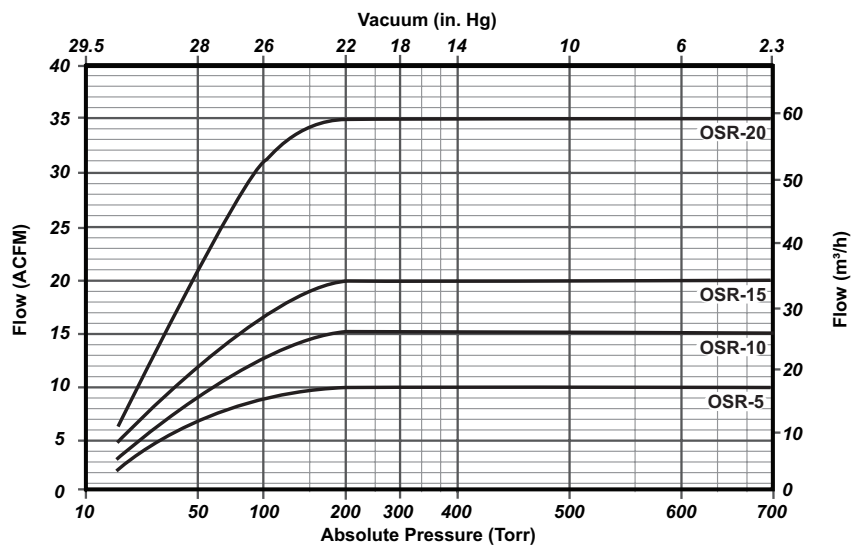


Specifications

	MODEL	OSR-5	OSR-10	OSR-15	OSR-20
Nominal Flow Capacity	CFM / <i>m³/h</i>	10 / 17	15 / 25	22 / 37	35 / 59
Motor	HP / <i>kW</i>	1 / 0.75	1.5 / 1.1	2 / 1.5	3 / 2.2
Pump RPM	RPM	3450	3450	3450	3450
Oil Capacity	Gallons / <i>Liters</i>	2 / 7.6	2 / 7.6	2 / 7.6	2 / 7.6
Weight	lbs. / <i>kg</i>	90 / 41	110 / 50	125 / 57	135 / 61

Typical Pumping Speed Curves

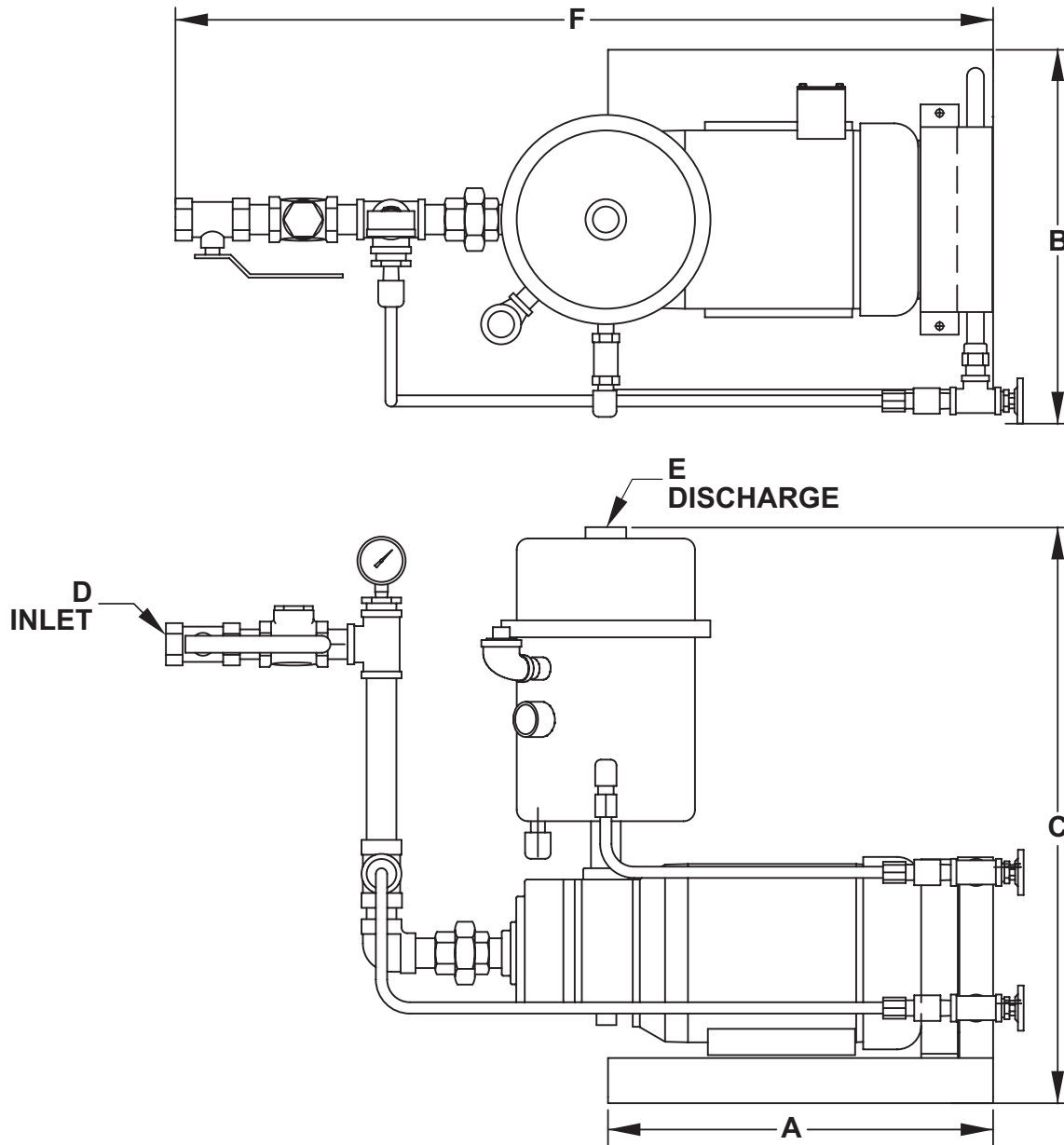
OSR-5 — OSR-20 PERFORMANCE CURVES



Dimensions:

Values shown are approximate and should not be used for construction.
 Certified drawings are available through your local Tuthill Vacuum & Blower Systems Sales Professional.

Models: OSR-5 OSR-10 OSR-15 OSR-20



Dimensional Table

MODEL inches / mm	A	B	C	D Inlet	E Discharge	F	Weight (lbs. / kg)
OSR-5	17 / 432	16.25 / 413	25.44 / 646	3/4" NPT	1 1/4" NPT	32.5 / 826	90 / 41
OSR-10	17 / 432	16.25 / 413	25.44 / 646	1" NPT	1 1/4" NPT	35.1 / 892	110 / 50
OSR-15	17 / 432	16.25 / 413	25.44 / 646	1" NPT	1 1/4" NPT	35.25 / 895	125 / 57
OSR-20	17 / 432	16.25 / 413	25.44 / 646	1" NPT	1 1/4" NPT	36.75 / 933	135 / 61

Your Local Tuthill Vacuum & Blower Systems Sales Professional:



Tuthill Vacuum & Blower Systems
 4840 West Kearney Street
 Springfield, Missouri USA 65803-8702
 o 417.865.8715 800.825.6937 f 417.865.2950

