

KINNEY® A SERIES

Single-Stage, Liquid Ring Vacuum Pumps

Models: **A200** **A300**

Features

- No contact between operating components in the casing
- Flat power curve over entire vacuum range prevents motor overload
- Reduced stress on motor shaft and bearings
- Increased water handling capability prevents heat build-up, extends life of mechanical seals
- Compact, close-coupled design eliminates need for interstage manifold or motor alignment
- Shrouded rotor increases pumping efficiency for high vacuum and low water consumption
- Fast delivery on standard materials and local support
- Manufactured in Springfield, Missouri USA

Materials of Construction

Casing, Cover, Rotor, Port Cylinder:

Cast Iron/Bronze

Mechanical Seals:

BUNA — Optional

Viton™ — Cast Iron Bronze Fitted, All Bronze,
Stainless Steel

EPR — Optional

Kalrez™ — Optional



Drive Options:

Pedestal Frame

Close-coupled motor

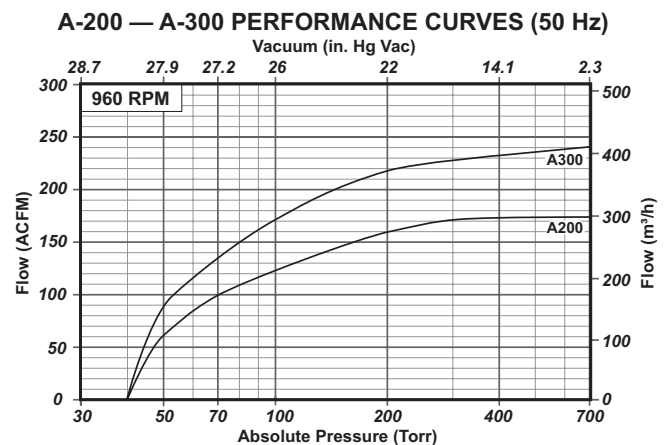
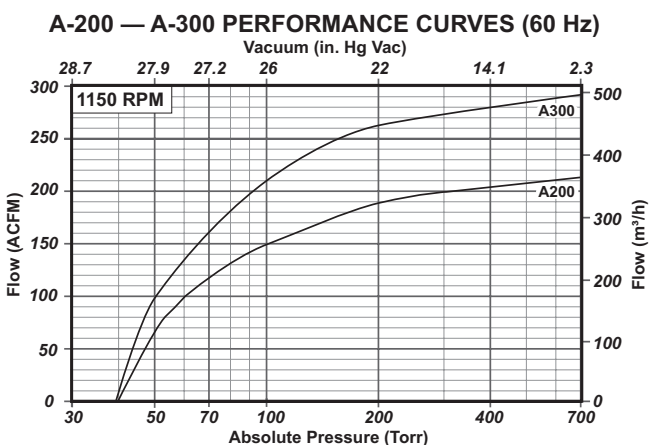
Stocked Motor:

TEFC – 3Ø

Optional Motor:

XP Class I, GpD – 3Ø — Optional

Typical Pumping Speed Curves



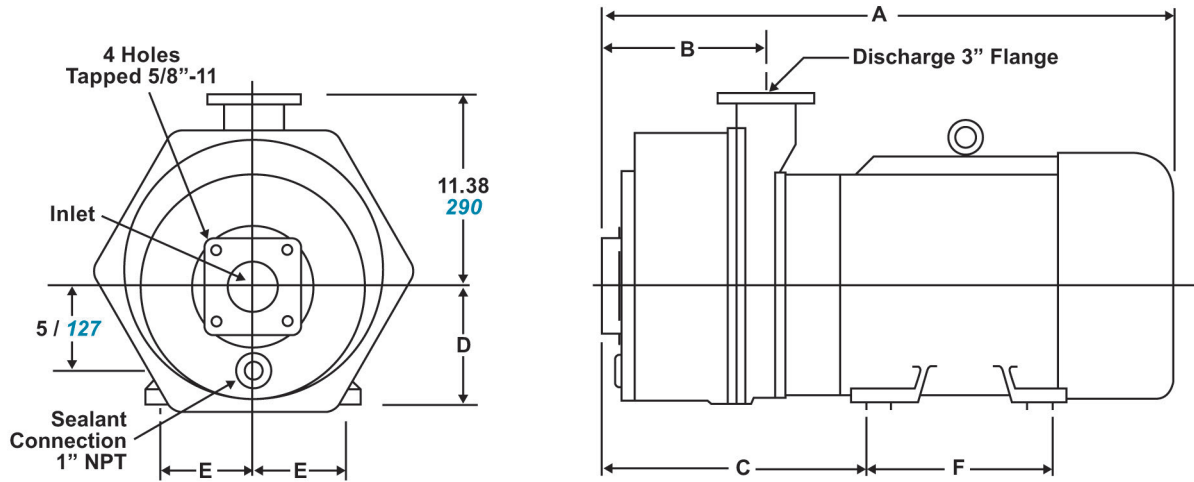
Performance curves are based on dry air at 68°F (20°C), 60°F (15°C) seal water, and 29.92 inches of mercury (760 torr) barometric pressure.

Dimensions:

Values shown are approximate and should not be used for construction.
 Certified drawings are available through your local Tuthill Vacuum & Blower Systems Sales Professional
 All dimensions are shown in inches and *millimeters*.

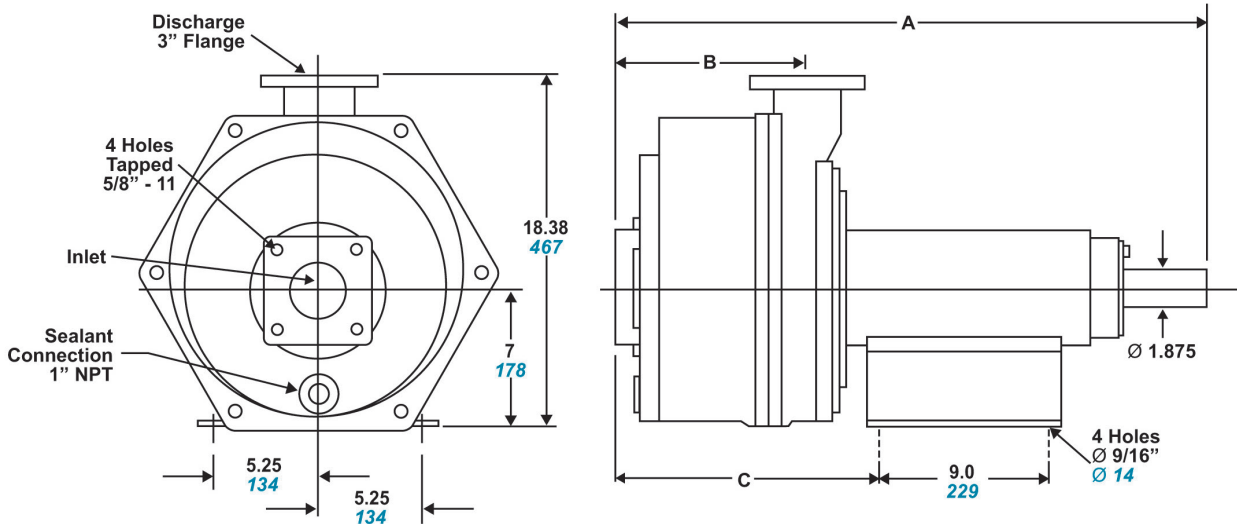
Models **A200** **A300**

Close-coupled Design



MODEL	FRAME	INLET	inches/mm						MOTOR HP	Weight (lbs./kg)
			A	B	C	D	E	F		
A200	284TYZ	3" Flange	32.4 / 823	8.3 / 211	14.2 / 361	7.0 / 178	5.50 / 140	11.0 / 279	15	560 / 254
A300	284TYZ	3" Flange	33.7 / 856	9.7 / 246	15.6 / 396	7.0 / 178	5.50 / 140	11.0 / 279	20	600 / 272

Pedestal Mount Design



MODEL	INLET	inches/mm			Weight (lbs./kg)
		A	B	C	
A200	3" Flange	28.81 / 732	8.31 / 211	11.88 / 302	250 / 114
A300	3" Flange	30.19 / 767	9.69 / 246	13.25 / 337	325 / 148

Your Local Tuthill Vacuum & Blower Systems Sales Professional:



Tuthill Vacuum & Blower Systems
 4840 West Kearney Street
 Springfield, Missouri USA 65803-8702
 o 417.865.8715 800.825.6937 f 417.865.2950
tuthillvacuumblower.com

